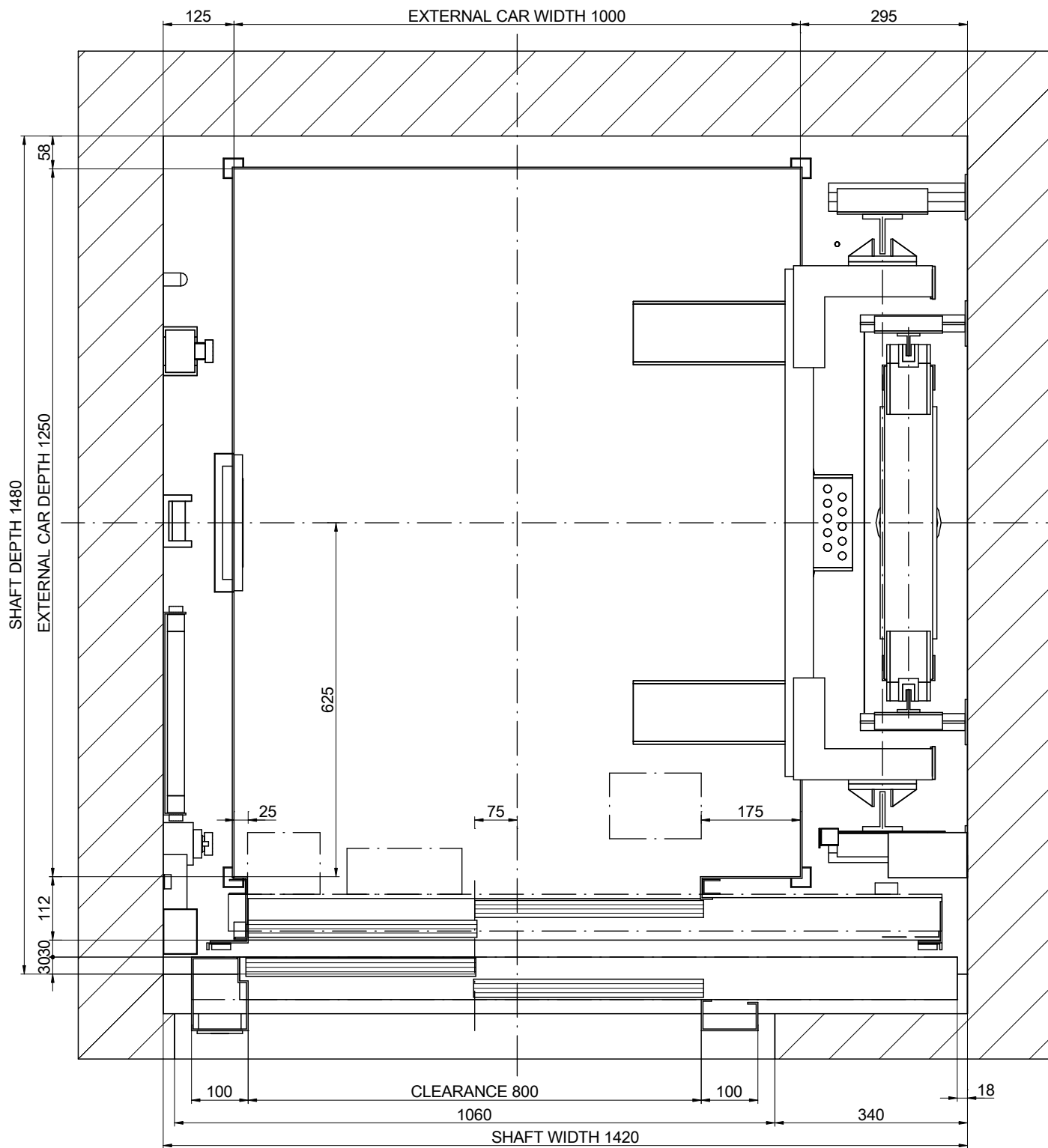
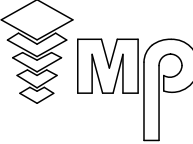
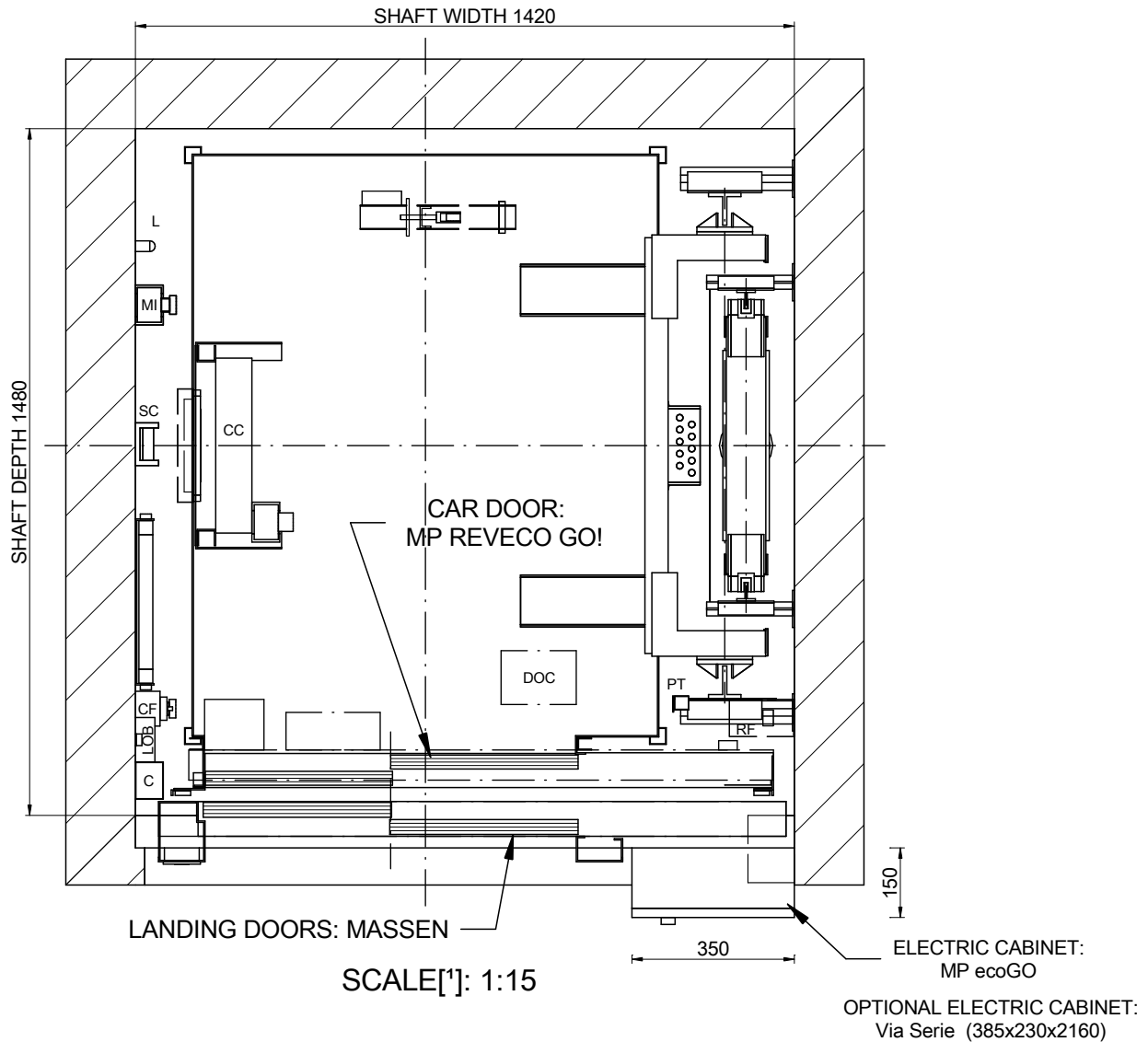


01-PLAN VIEW



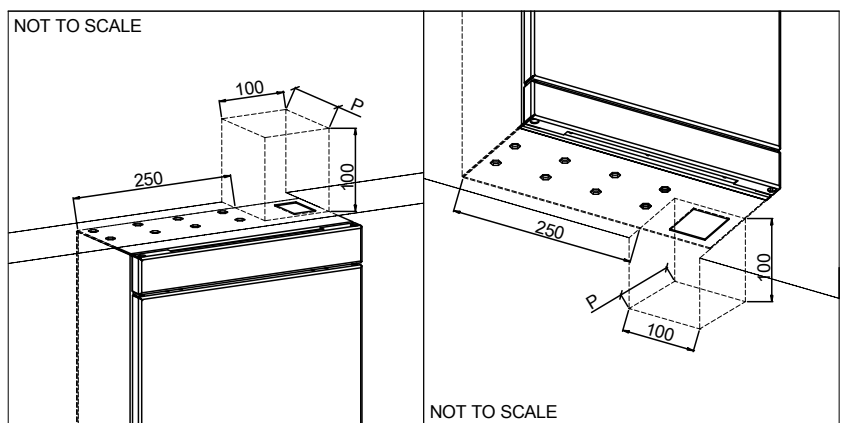
DRAWING	DATE	REV.	SHEET	[*] Unbounded dimensions in drawings are indicative and not binding.	
MP	2016	00	1/8		
MODEL LIFT:				REFERENCE:	CLIENT: WORK SITUATION:
MP GO! FLEX XL				MPGOIFLEXXLLATERAL480S_EN	
CAPACITY: [N° PERSONS]		6		<h2>MP LIFTS</h2>	
NOMINAL LOAD: [kg]		480			
SPEED: [m/s]		1			
FREQUENCY: [Hz]		50			
TENSION: [V]		380V [Three-phase]			


01B-PLAN VIEW



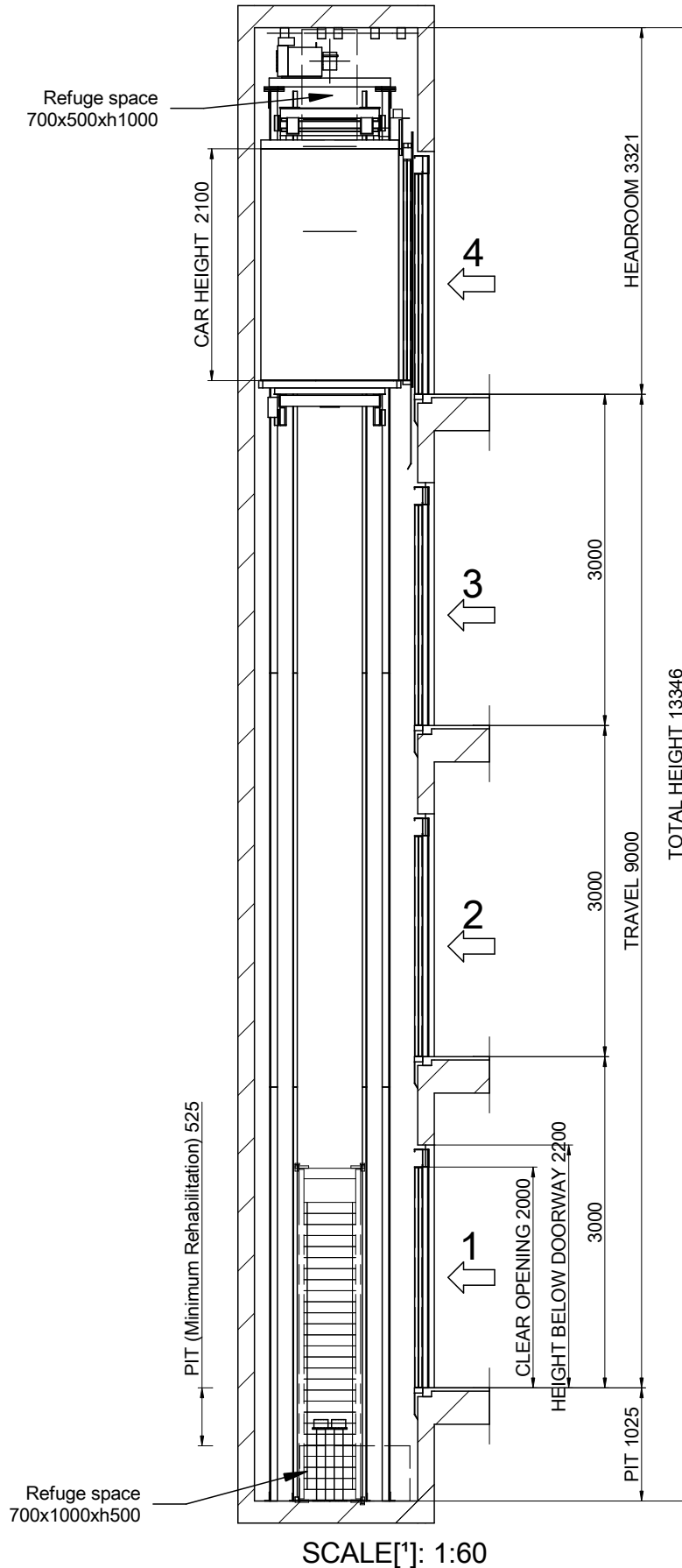
NOMENCLATURE

- C: Wiring channel
- CC: Car ceiling connection box
- CF: Pit box
- CL: Shaft light switch
- DOC: Operator control box
- L: Lamp
- LOB: Pushbutton control board
- MI: Inspection control station
- PT: Fixed cam
- RF: Brake resistor
- ST: Stopping device
- SC: Travelling cable support



DRAWING	DATE	REV.	SHEET	[*] Unbounded dimensions in drawings are indicative and not binding.	
MP	2016	00	2/8		
MODEL LIFT:				REFERENCE:	
MP GO! FLEX XL				MPGO!FLEXLLATERAL480S_EN	
CAPACITY: [N° PERSONS]				6	CLIENT: WORK SITUATION:
NOMINAL LOAD: [kg]				480	
SPEED: [m/s]				1	
FREQUENCY: [Hz]				50	
TENSION: [V]				380V [Three-phase]	
MP LIFTS					

02-SIDE VERTICAL SECTION

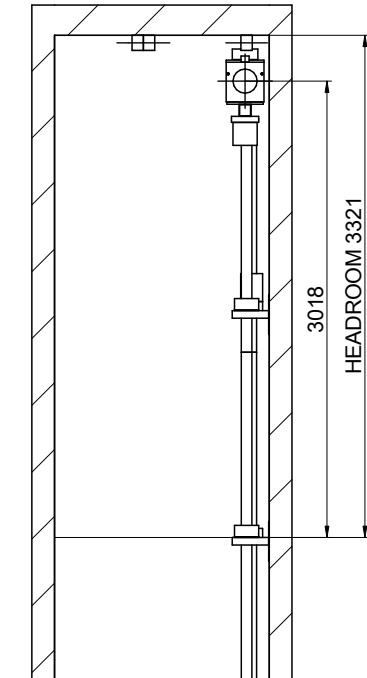


DRAWING		DATE	REV.	SHEET	[*] Unbounded dimensions in drawings are indicative and not binding.
MP	2016	00	3/8	REFERENCE: MPGOIFLEXLLATERAL480S_EN	
MODEL LIFT:		MP GO! FLEX XL			CLIENT: WORK SITUATION:
CAPACITY: [N° PERSONS]		6			
NOMINAL LOAD: [kg]		480			
SPEED: [m/s]		1			
FREQUENCY: [Hz]		50			
TENSION: [V]		380V [Three-phase]			MP LIFTS

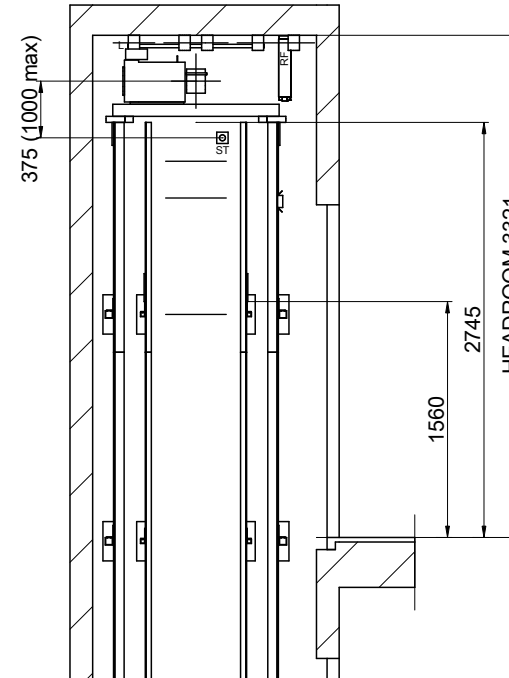
Flat and levelled floor, protected against water leaking.
 [EN81-20:2014 5.2.1.9]
 Foresee pit access device
 [EN81-20:2014 5.2.2.4]
 Stop device
 [EN81-20:2014 5.2.1.5.1. a]
 Inspection control station.
 [EN81-20:2014 5.2.1.5.1. b]
 Power supply
 [EN81-20:2014 5.2.1.5.1. c]
 Light switch commuted with the cabinet.
 [EN81-20:2014 5.2.1.5.1. d]




03B-FIXING DETAILS IN HEADROOM



SCALE[*]: 1:50

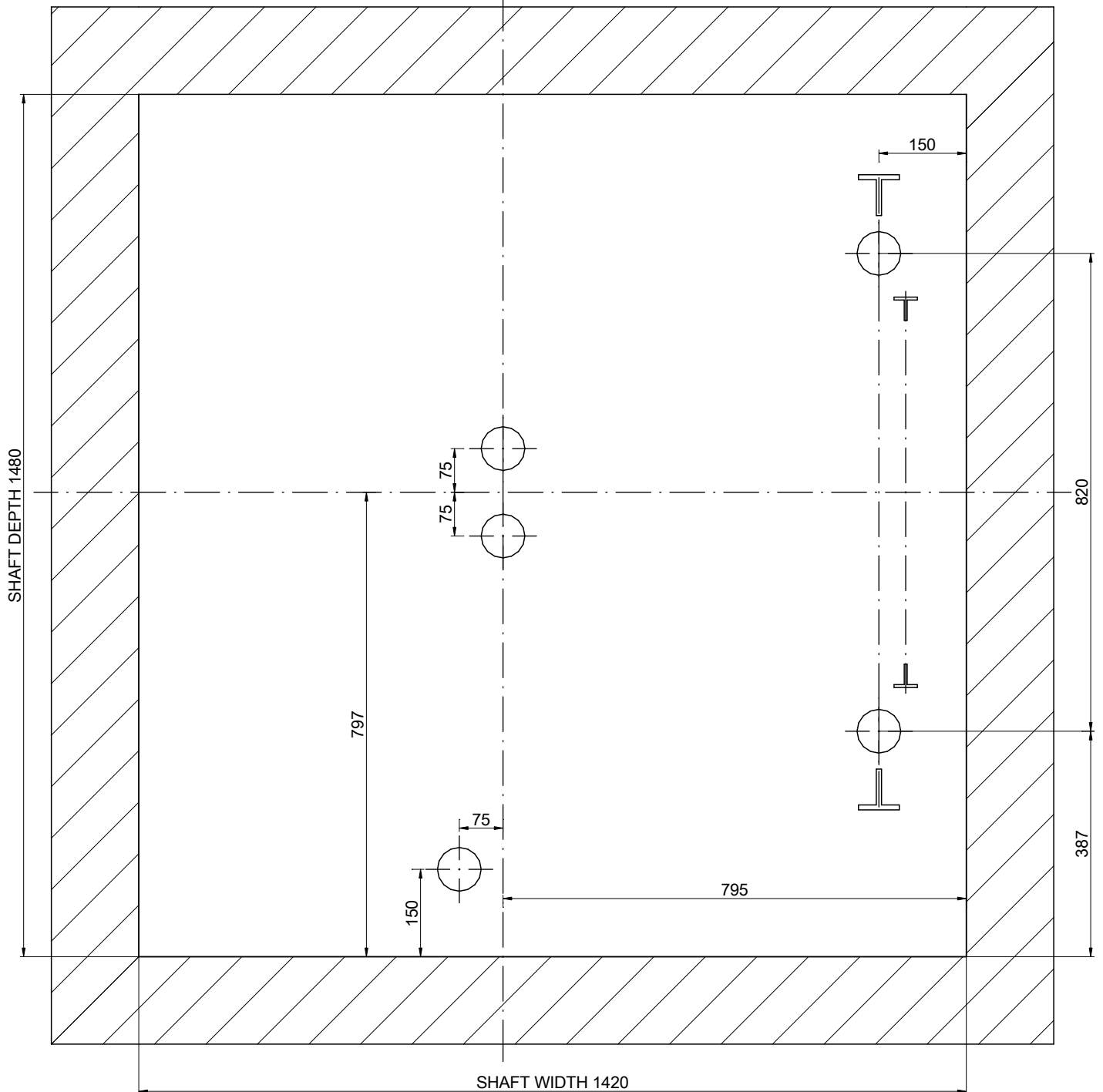


SCALE[*]: 1:50

DRAWING	DATE	REV.	SHEET	[*] Unbounded dimensions in drawings are indicative and not binding.	
MP	2016	00	4/8		
MODEL LIFT:				REFERENCE: MPGO!FLEXLLATERAL480S_EN	
MP GO! FLEX XL				CLIENT:	
CAPACITY: [N° PERSONS]			6	WORK SITUATION:	
NOMINAL LOAD: [kg]			480		
SPEED: [m/s]			1		
FREQUENCY: [Hz]			50		
TENSION: [V]			380V [Three-phase]	MP LIFTS	


04-BEAM AND LIFTING HOOKS

POSITION OF REMOVABLE LIFTING HOOKS ABLE TO SUPPORT
1000 kg EACH ONE SUPPLIED BY CONSTRUCTOR
(RECOMMENDED POSITION LOADHOOKS)

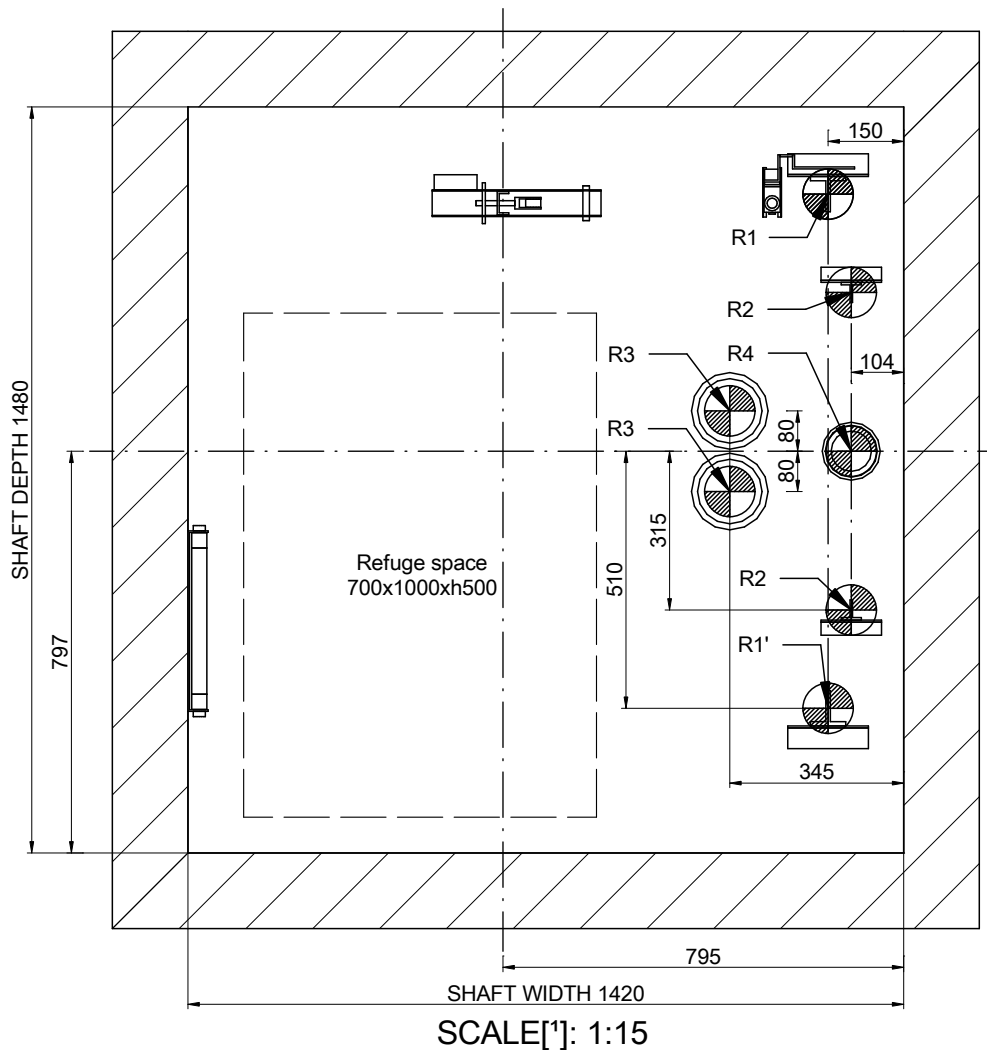


SHAFT WIDTH 1420

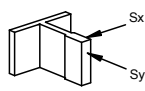
SCALE[*]: 1:10

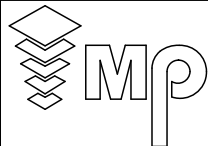
DRAWING	DATE	REV.	SHEET	[*] Unbounded dimensions in drawings are indicative and not binding.	
MP	2016	00	5/8	REFERENCE: MPGO!FLEXLLATERAL480S_EN	
MODEL LIFT:				CLIENT:	<p>MP LIFTS</p>
MP GO! FLEX XL				WORK SITUATION:	
CAPACITY: [N° PERSONS]			6		
NOMINAL LOAD: [kg]			480		
SPEED: [m/s]			1		
FREQUENCY: [Hz]			50		
TENSION: [V]			380V [Three-phase]		

05-PIT LAYOUT

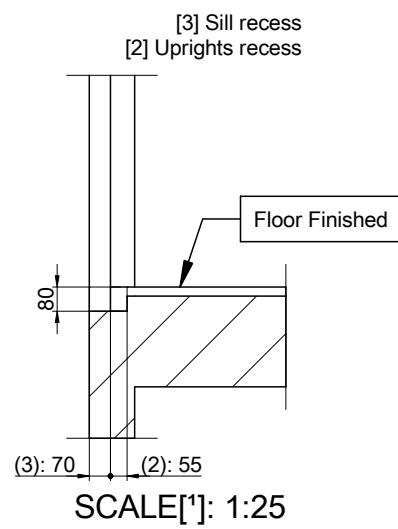
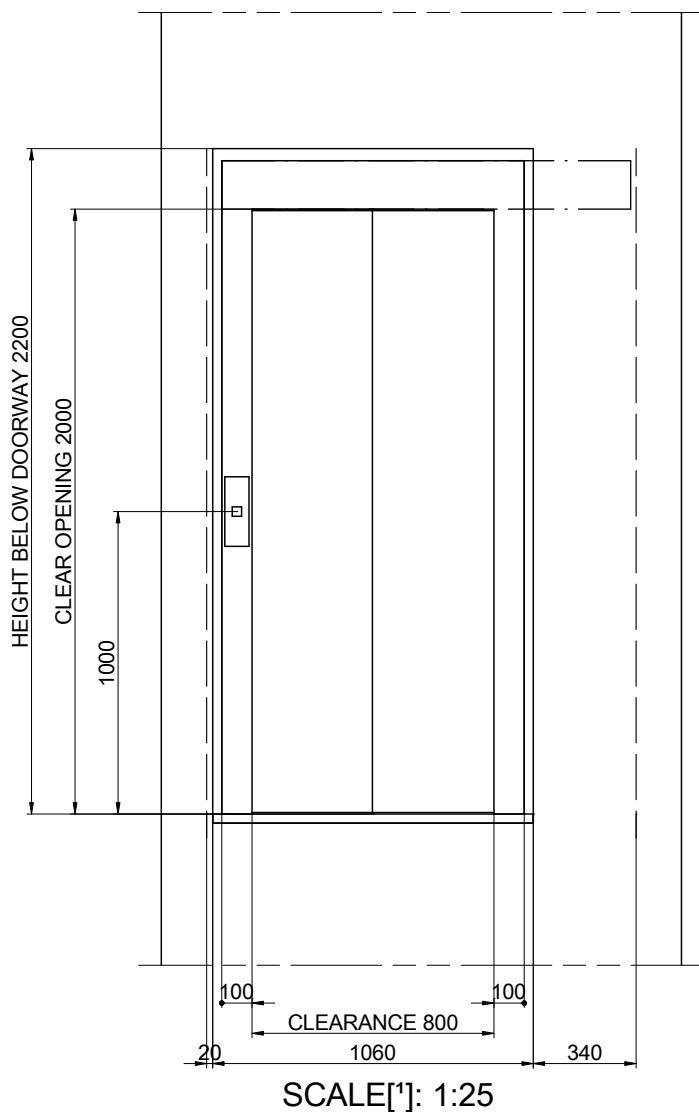



REACTIONS [N] [max.]			
R1	35000	R2	3000
R1'	35000	R2'	3000
R3	25000	R4	40000
Sx	3500	Sy	1100



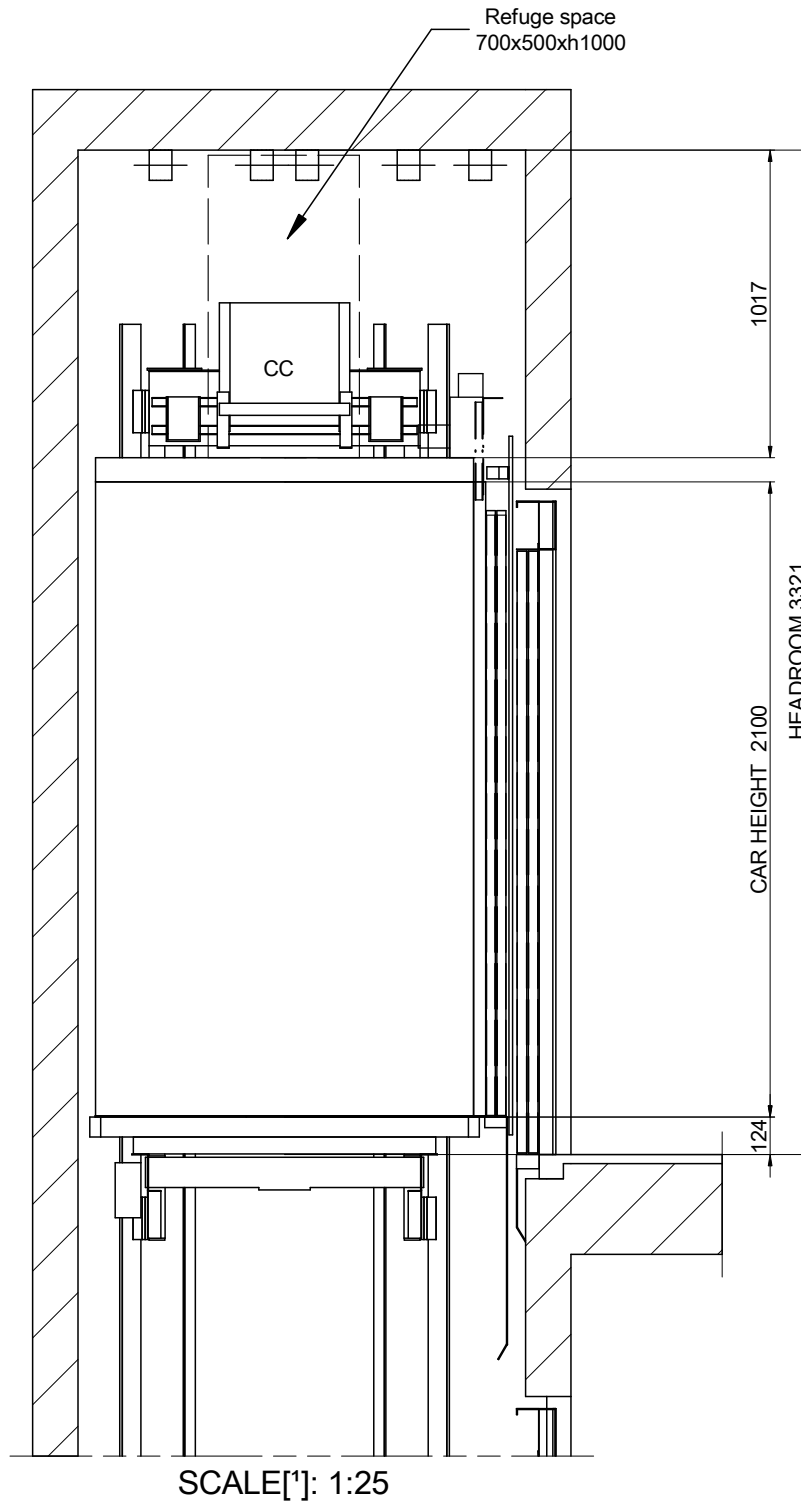
DRAWING	DATE	REV.	SHEET	[*] Unbounded dimensions in drawings are indicative and not binding.	
MP	2016	00	6/8	REFERENCE: MPGO!FLEXLLATERAL480S_EN	
MODEL LIFT:				CLIENT:	<p>MP LIFTS</p>
MP GO! FLEX XL				WORK SITUATION:	
CAPACITY: [N° PERSONS]			6		
NOMINAL LOAD: [kg]			480		
SPEED: [m/s]			1		
FREQUENCY: [Hz]			50		
TENSION: [V]		380V [Three-phase]			


06-DOOR HOLE DETAIL



DRAWING	DATE	REV.	SHEET	[*] Unbounded dimensions in drawings are indicative and not binding.	
MP	2016	00	7/8		
MODEL LIFT:				REFERENCE: MPGO!FLEXLLATERAL480S_EN	CLIENT: WORK SITUATION:
MP GO! FLEX XL					
CAPACITY: [N° PERSONS]		6		<h2>MP LIFTS</h2>	
NOMINAL LOAD: [kg]		480			
SPEED: [m/s]		1			
FREQUENCY: [Hz]		50			
TENSION: [V]		380V [Three-phase]			

07-HEADROOM



DRAWING	DATE	REV.	SHEET	[*] Unbounded dimensions in drawings are indicative and not binding. REFERENCE: MPGOIFLEXXLLATERAL480S_EN	
MP	2016	00	8/8		
MODEL LIFT:				CLIENT:	WORK SITUATION:
MP GO! FLEX XL					
CAPACITY: [N° PERSONS]			6	<h2>MP LIFTS</h2>	
NOMINAL LOAD: [kg]			480		
SPEED: [m/s]			1		
FREQUENCY: [Hz]			50		
TENSION: [V]			380V [Three-phase]		