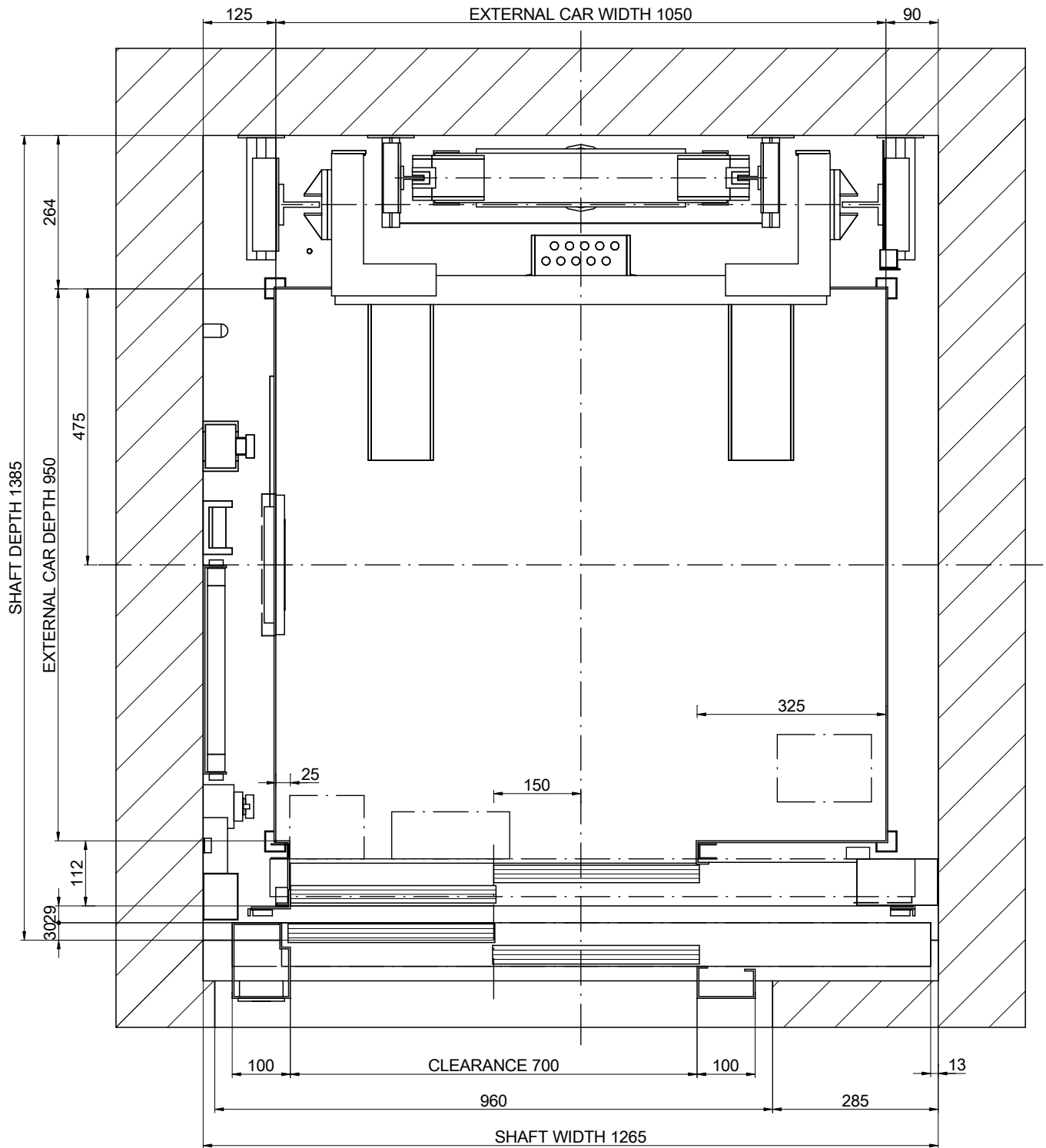

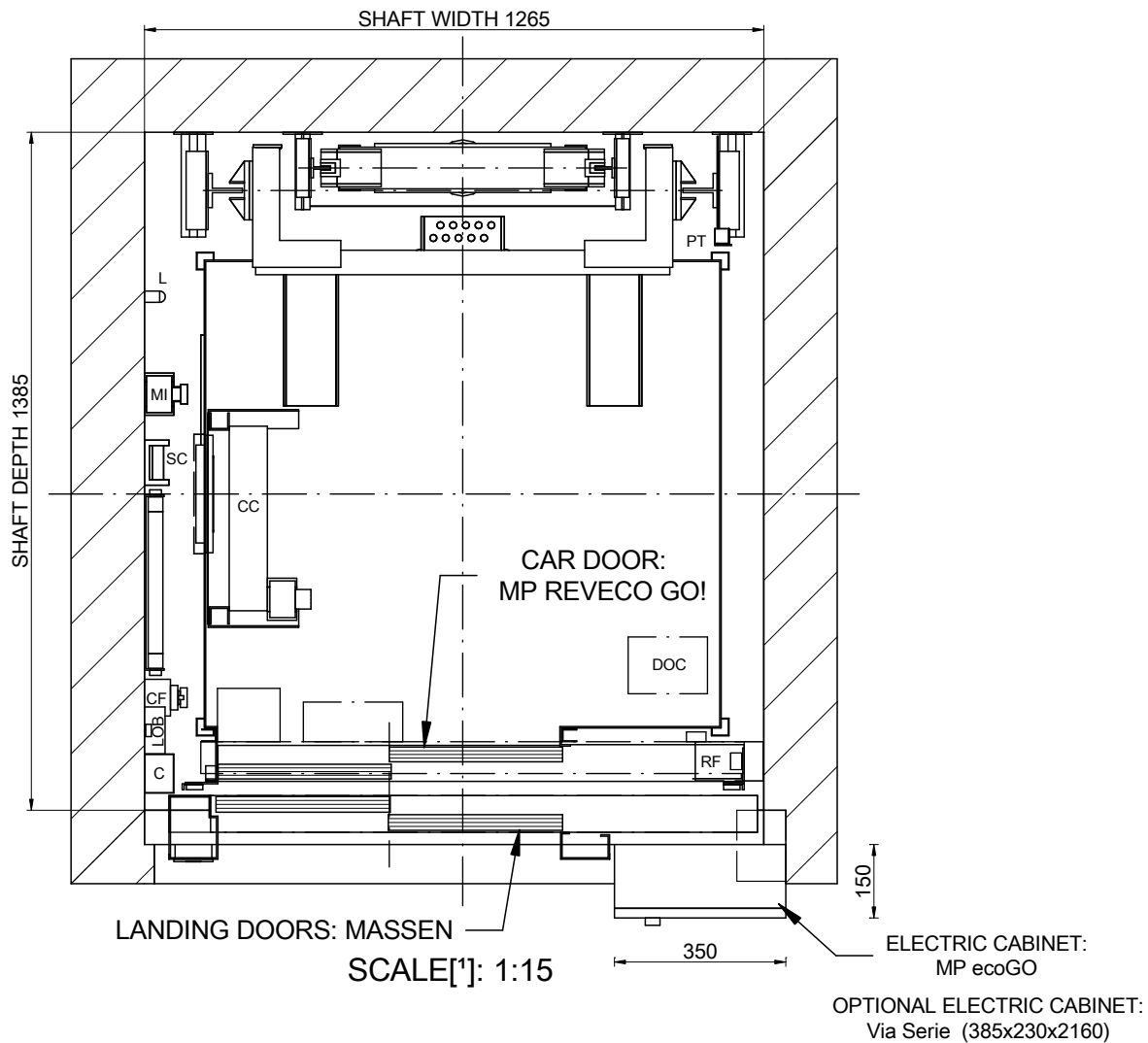


01-PLAN VIEW



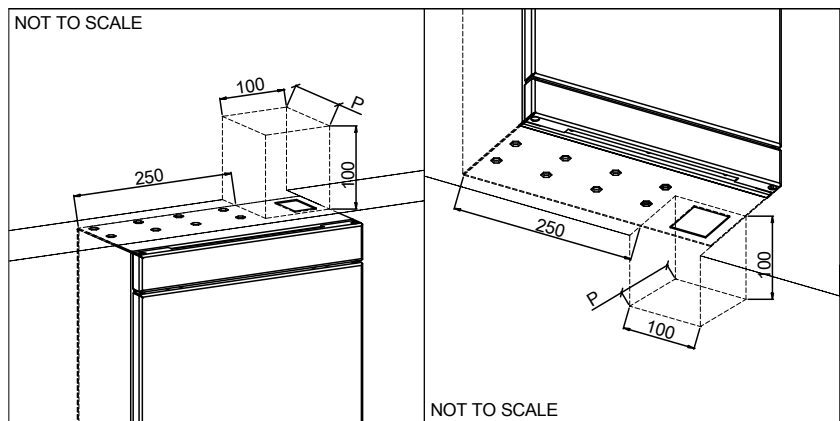
DRAWING	DATE	REV.	SHEET	[*] Unbounded dimensions in drawings are indicative and not binding. REFERENCE: MPGO!FLEXXLFONDO375S_EN	
MP	2016	00	1/8		
MODEL LIFT:				CLIENT:	WORK SITUATION:
MP GO! FLEX XL					
CAPACITY: [N° PERSONS]		5		<h2>MP LIFTS</h2>	
NOMINAL LOAD: [kg]		375			
SPEED: [m/s]		1			
FREQUENCY: [Hz]		50			
TENSION: [V]		380V [Three-phase]			


01B-PLAN VIEW



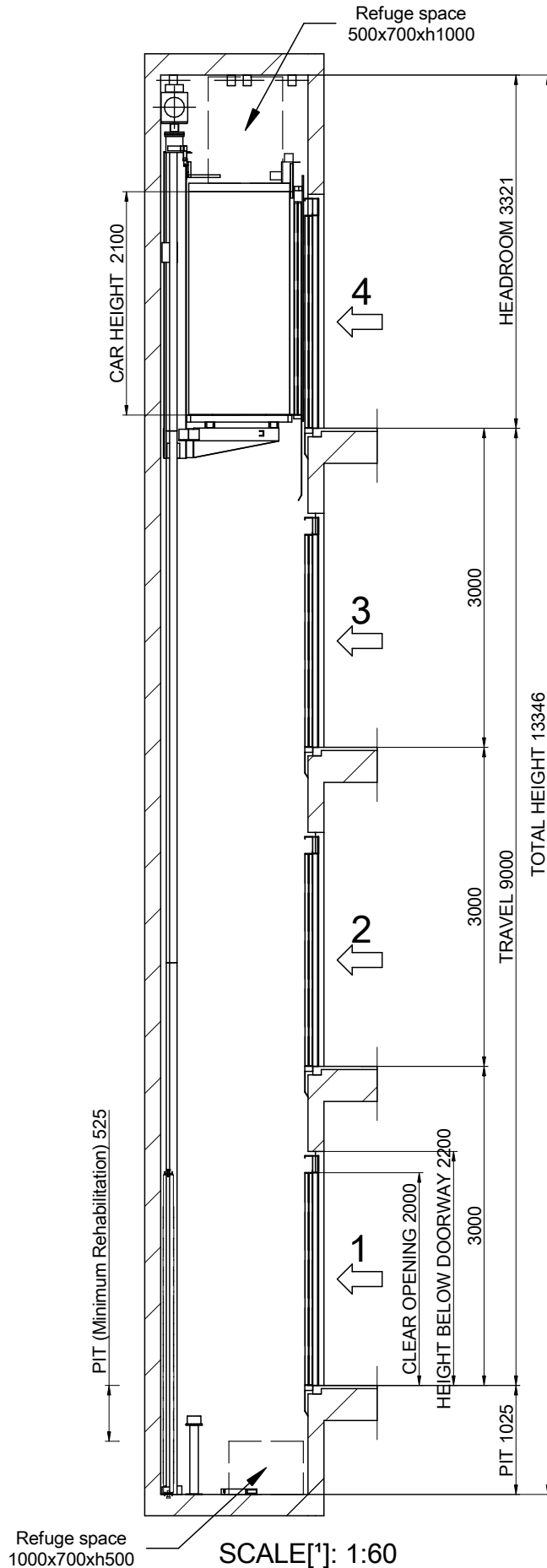
NOMENCLATURE

- C: Wiring channel
- CC: Car ceiling connection box
- CF: Pit box
- CL: Shaft light switch
- DOC: Operator control box
- L: Lamp
- LOB: Pushbutton control board
- MI: Inspection control station
- PT: Fixed cam
- RF: Brake resistor
- ST: Stopping device
- SC: Travelling cable support



DRAWING	DATE	REV.	SHEET	[*] Unbounded dimensions in drawings are indicative and not binding.	
MP	2016	00	2/8	REFERENCE: MPGO!FLEXXLFONDO375S_EN	
MODEL LIFT:				CLIENT: WORK SITUATION:	
MP GO! FLEX XL					
CAPACITY: [N° PERSONS]			5		
NOMINAL LOAD: [kg]			375		
SPEED: [m/s]			1		
FREQUENCY: [Hz]			50		
TENSION: [V]		380V [Three-phase]		MP LIFTS	

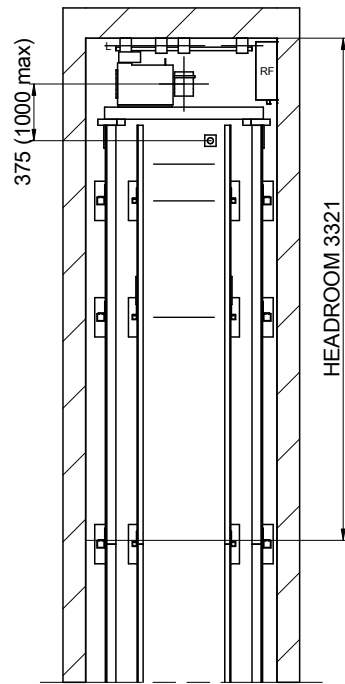
02-SIDE VERTICAL SECTION



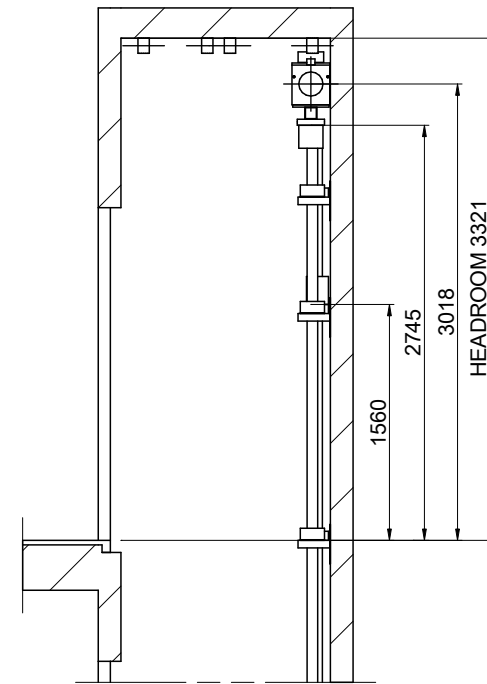
DRAWING		DATE	REV.	SHEET	[!] Unbounded dimensions in drawings are indicative and not binding.
MP	2016	00	3/8	REFERENCE: MPGOIFLEXLXFONDO375S_EN	
MODEL LIFT:		MP GO! FLEX XL			CLIENT: WORK SITUATION:
CAPACITY: [N° PERSONS]		5			
NOMINAL LOAD: [kg]		375			
SPEED: [m/s]		1			
FREQUENCY: [Hz]		50			
TENSION: [V]		380V [Three-phase]			
MP LIFTS					

Flat and levelled floor, protected against water leaking.
 [EN81-20:2014 5.2.1.9]
 Foresee pit access device
 [EN81-20:2014 5.2.2.4]
 Stop device
 [EN81-20:2014 5.2.1.5.1. a]
 Inspection control station.
 [EN81-20:2014 5.2.1.5.1. b]
 Power supply
 [EN81-20:2014 5.2.1.5.1. c]
 Light switch
 commuted with the cabinet.
 [EN81-20:2014 5.2.1.5.1. d]


03B-FIXING DETAILS IN HEADROOM



SCALE[*]: 1:50

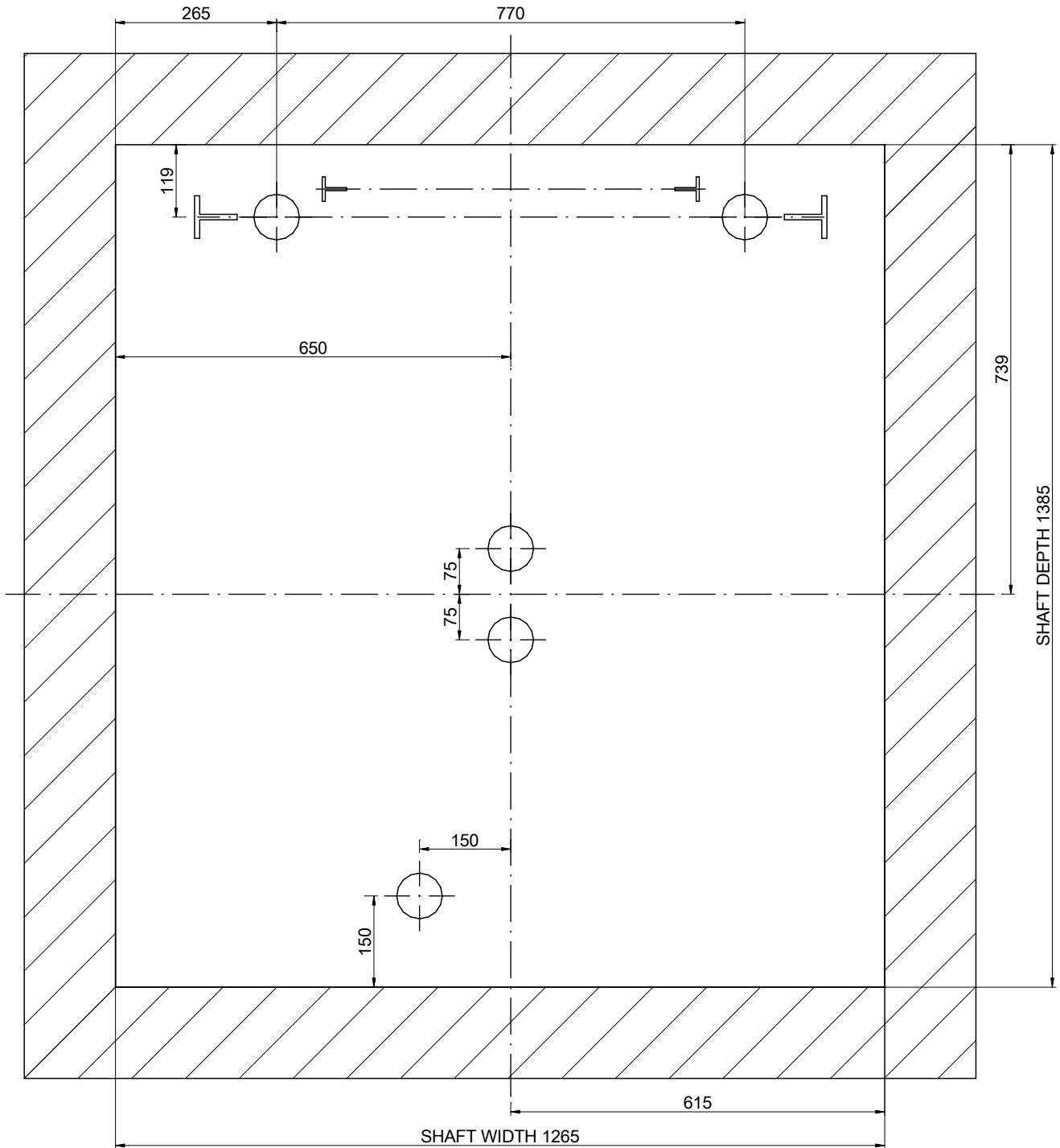


SCALE[*]: 1:50


DRAWING	DATE	REV.	SHEET	[*] Unbounded dimensions in drawings are indicative and not binding.	
MP	2016	00	4/8		
MODEL LIFT:				REFERENCE: MPGO!FLEXXLFONDO375S_EN	
MP GO! FLEX XL				CLIENT:	
CAPACITY: [N° PERSONS]			5	WORK SITUATION:	
NOMINAL LOAD: [kg]			375		
SPEED: [m/s]			1		
FREQUENCY: [Hz]			50		
TENSION: [V]			380V [Three-phase]	MP LIFTS	

04-BEAM AND LIFTING HOOKS

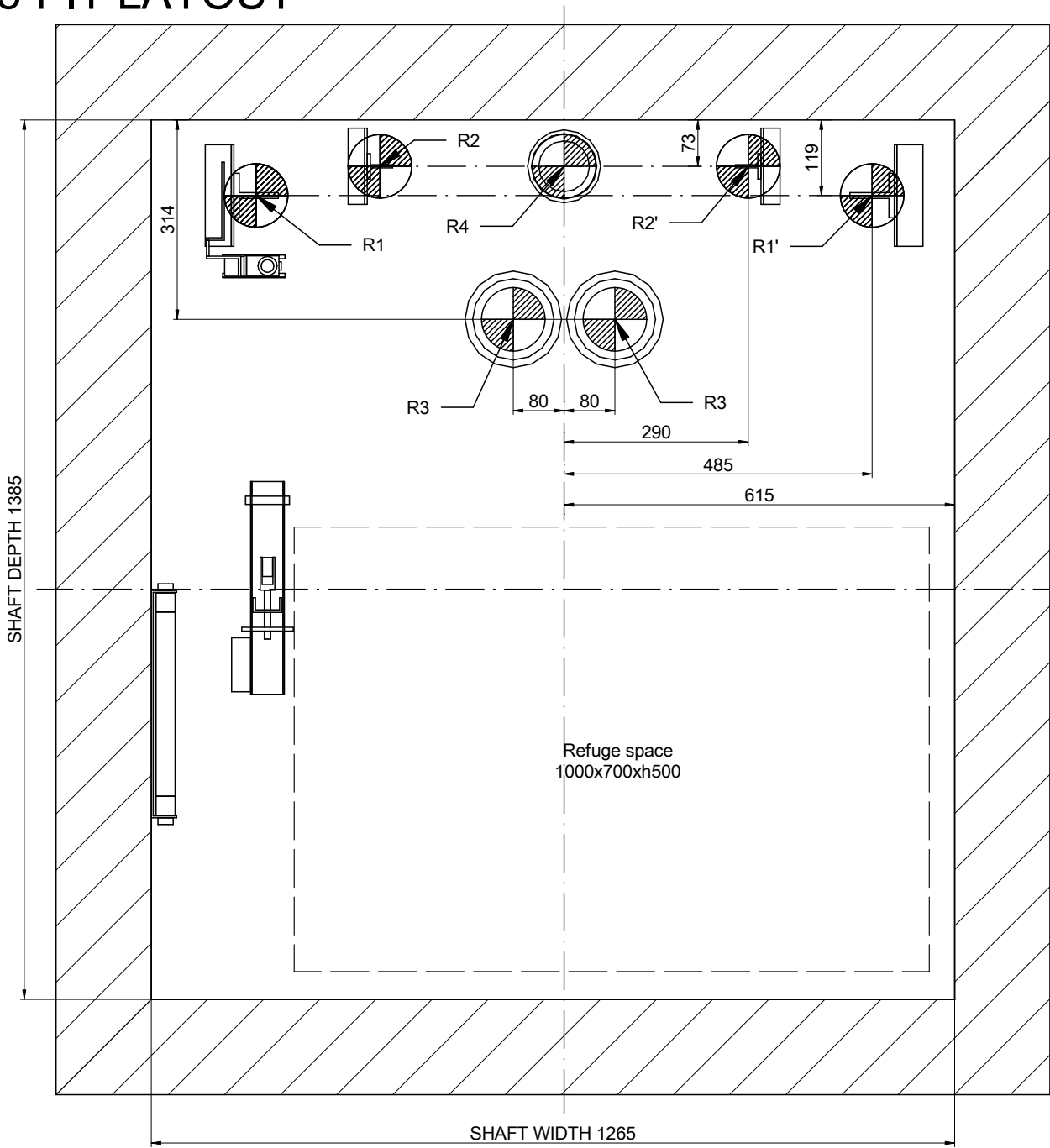
POSITION OF REMOVABLE LIFTING HOOKS ABLE TO SUPPORT
1000 kg EACH ONE SUPPLIED BY CONSTRUCTOR
(RECOMMENDED POSITION LOADHOOKS)



SCALE[*]: 1:10

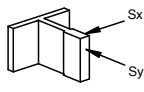
DRAWING	DATE	REV.	SHEET	[*] Unbounded dimensions in drawings are indicative and not binding.	
MP	2016	00	5/8	REFERENCE: MPGO!FLEXXLFONDO375S_EN	
MODEL LIFT:				CLIENT:	<p>MP LIFTS</p>
MP GO! FLEX XL				WORK SITUATION:	
CAPACITY: [N° PERSONS]			5		
NOMINAL LOAD: [kg]			375		
SPEED: [m/s]			1		
FREQUENCY: [Hz]			50		
TENSION: [V]		380V [Three-phase]			


05-PIT LAYOUT



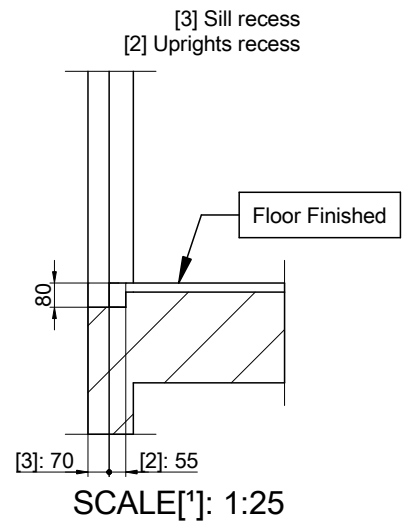
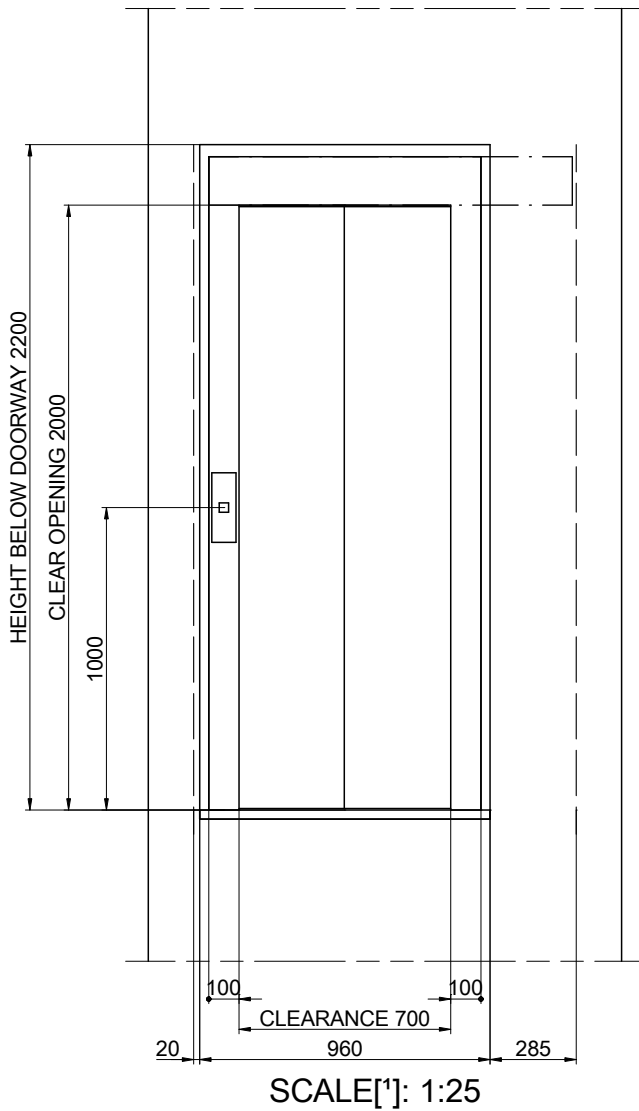
SCALE[*]: 1:10


REACTIONS [N] [max.]			
R1	33000	R2	3000
R1'	33000	R2'	3000
R3	23500	R4	35000
Sx	3100	Sy	1000



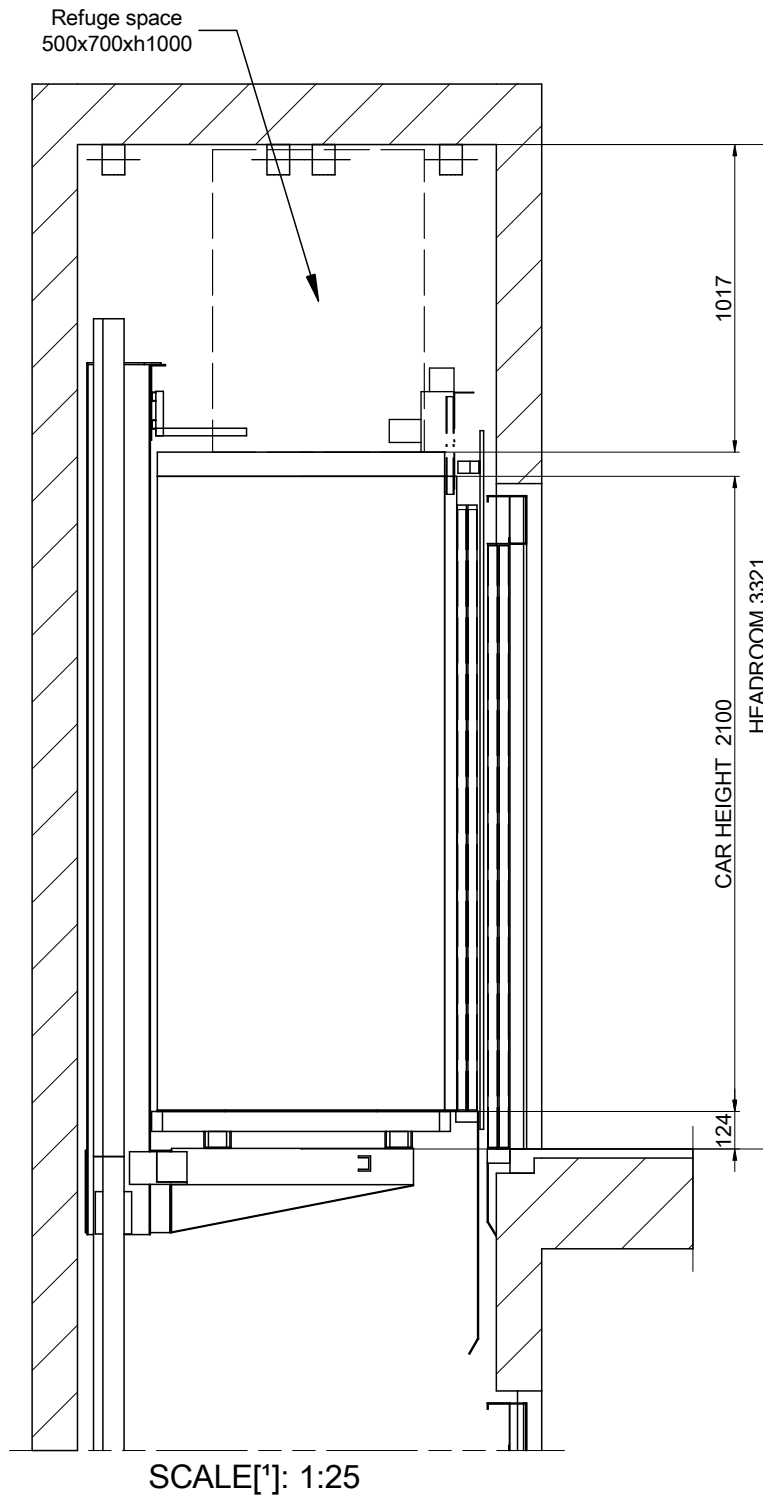
DRAWING	DATE	REV.	SHEET	[*] Unbounded dimensions in drawings are indicative and not binding. REFERENCE: MPGO!FLEXXLFONDO375S_EN	
MP	2016	00	6/8		
MODEL LIFT:				CLIENT:	WORK SITUATION:
MP GO! FLEX XL					
CAPACITY: [N° PERSONS]		5		<h2>MP LIFTS</h2>	
NOMINAL LOAD: [kg]		375			
SPEED: [m/s]		1			
FREQUENCY: [Hz]		50			
TENSION: [V]		380V [Three-phase]			


06-DOOR HOLE DETAIL



DRAWING	DATE	REV.	SHEET	[*] Unbounded dimensions in drawings are indicative and not binding.	
MP	2016	00	7/8	REFERENCE: MPGO!FLEXXLFONDO375S_EN	
MODEL LIFT:				CLIENT: WORK SITUATION:	
MP GO! FLEX XL					
CAPACITY: [N° PERSONS]		5			
NOMINAL LOAD: [kg]		375			
SPEED: [m/s]		1			
FREQUENCY: [Hz]		50			
TENSION: [V]		380V [Three-phase]		MP LIFTS	

07-HEADROOM



DRAWING	DATE	REV.	SHEET	[*] Unbounded dimensions in drawings are indicative and not binding. REFERENCE: MPGO!FLEXXLFONDO375S_EN	
MP	2016	00	8/8		
MODEL LIFT:				CLIENT:	WORK SITUATION:
MP GO! FLEX XL					
CAPACITY: [N° PERSONS]			5	<h2>MP LIFTS</h2>	
NOMINAL LOAD: [kg]			375		
SPEED: [m/s]			1		
FREQUENCY: [Hz]			50		
TENSION: [V]			380V [Three-phase]		