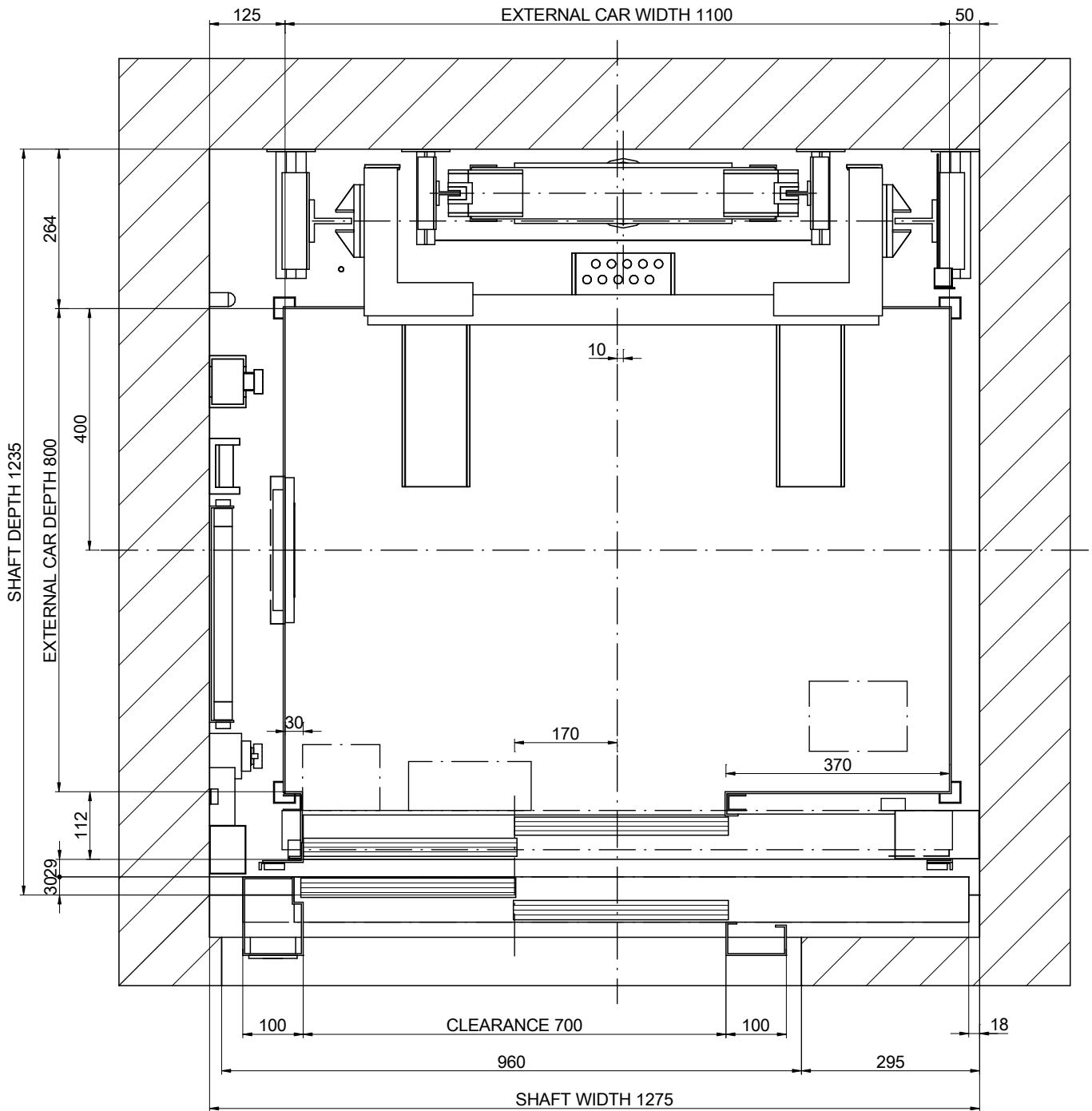

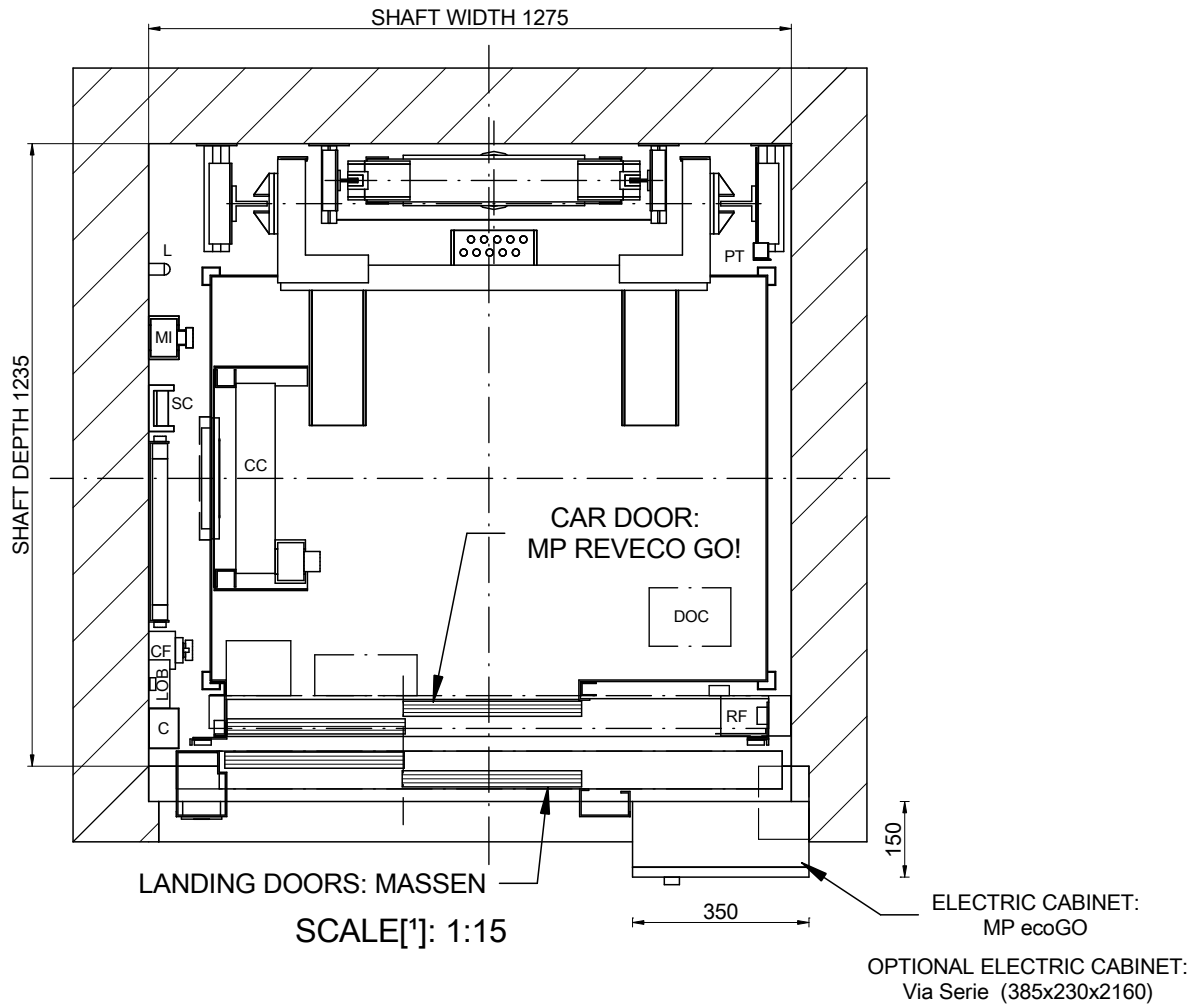


# 01-PLAN VIEW



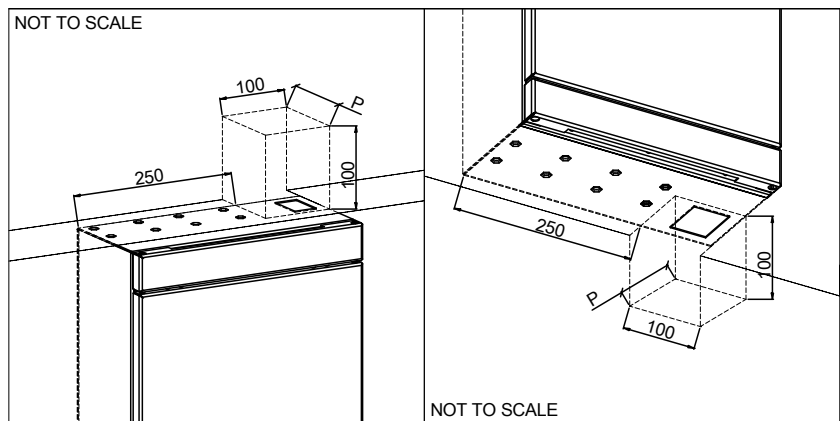
DRAWING	DATE	REV.	SHEET	[*] Unbounded dimensions in drawings are indicative and not binding. REFERENCE: MPGO!FLEXXLFONDO320S_EN	
MP	2016	00	1/8		
MODEL LIFT:				CLIENT:	WORK SITUATION:
<b>MP GO! FLEX XL</b>					
CAPACITY: [N° PERSONS]			4	<b>MP LIFTS</b>	
NOMINAL LOAD: [kg]			320		
SPEED: [m/s]			1		
FREQUENCY: [Hz]			50		
TENSION: [V]			380V [Three-phase]		

# 01B-PLAN VIEW



## NOMENCLATURE

C: Wiring channel  
 CC: Car ceiling connection box  
 CF: Pit box  
 CL: Shaft light switch  
 DOC: Operator control box  
 L: Lamp  
 LOB: Pushbutton control board  
 MI: Inspection control station  
 PT: Fixed cam  
 RF: Brake resistor  
 ST: Stopping device  
 SC: Travelling cable support



DRAWING	DATE	REV.	SHEET
MP	2016	00	2/8
MODEL LIFT:			
<b>MP GO! FLEX XL</b>			
CAPACITY: [N° PERSONS]	4		
NOMINAL LOAD: [kg]	320		
SPEED: [m/s]	1		
FREQUENCY: [Hz]	50		
TENSION: [V]	380V [Three-phase]		

[\*] Unbounded dimensions in drawings are indicative and not binding.

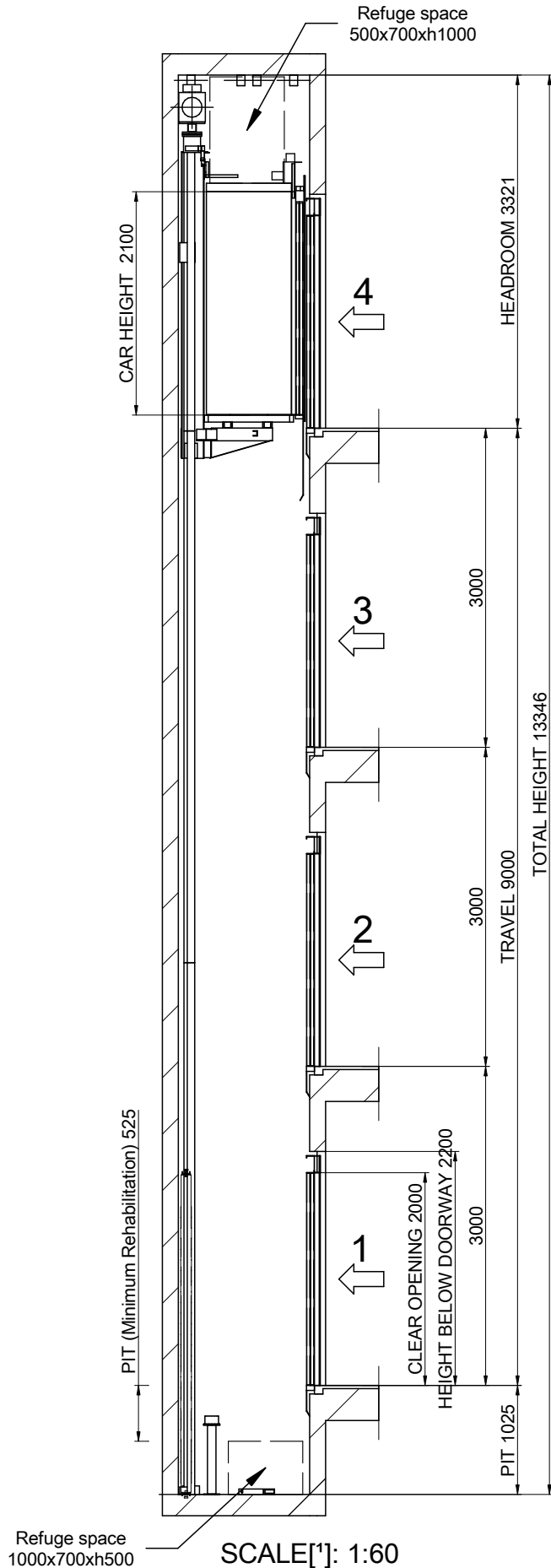
REFERENCE:  
 MPGO!FLEXXLFONDO320S\_EN

CLIENT:  
 WORK SITUATION:



**MP LIFTS**

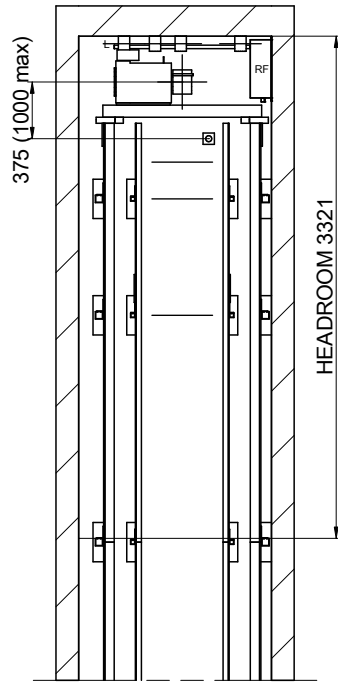
# 02-SIDE VERTICAL SECTION



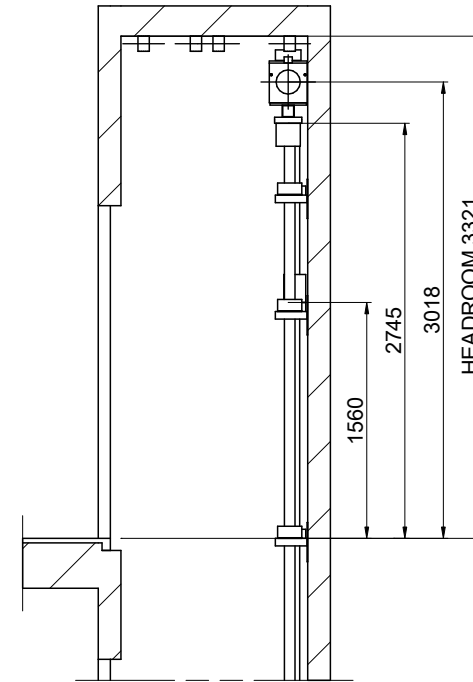
DRAWING		DATE	REV.	SHEET	[*] Unbounded dimensions in drawings are indicative and not binding.
MP	2016	00	3/8	REFERENCE: MPGOIFLEXLFFONDO320S_EN	
MODEL LIFT:		MP GO! FLEX XL			
CAPACITY: [N° PERSONS]		4			
NOMINAL LOAD: [kg]		320			
SPEED: [m/s]		1			
FREQUENCY: [Hz]		50			
TENSION: [V]		380V [Three-phase]			
CLIENT: WORK SITUATION:					MP LIFTS

Flat and levelled floor, protected against water leaking.  
 [EN81-20:2014 5.2.1.9]  
 Foresee pit access device  
 [EN81-20:2014 5.2.2.4]  
 Stop device  
 [EN81-20:2014 5.2.1.5.1. a]  
 Inspection control station.  
 [EN81-20:2014 5.2.1.5.1. b]  
 Power supply  
 [EN81-20:2014 5.2.1.5.1. c]  
 Light switch  
 commuted with the cabinet.  
 [EN81-20:2014 5.2.1.5.1. d]

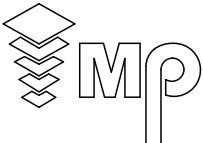
# 03B-FIXING DETAILS IN HEADROOM



SCALE[\*]: 1:50

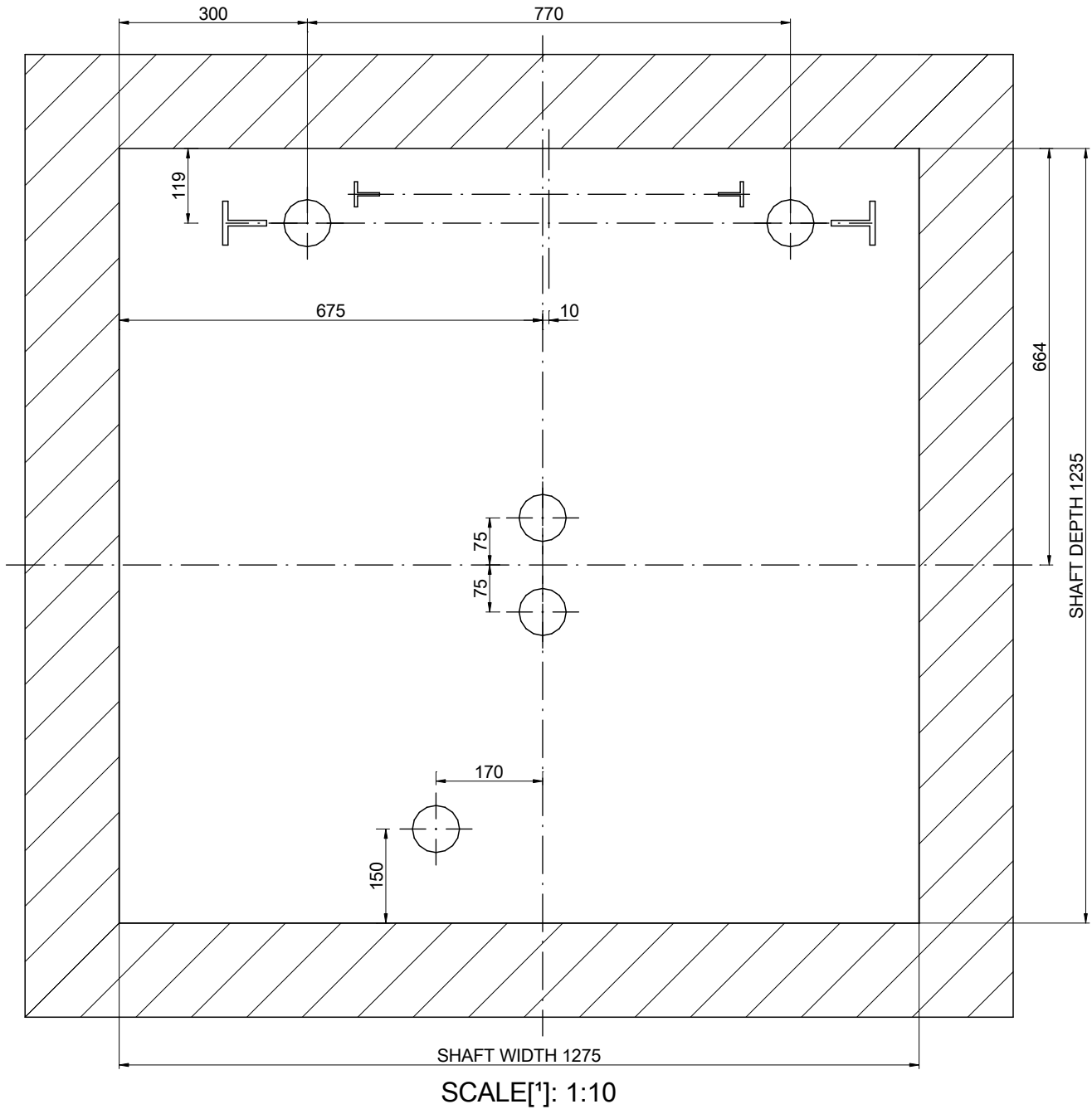




SCALE[\*]: 1:50

DRAWING	DATE	REV.	SHEET	[*] Unbounded dimensions in drawings are indicative and not binding.	
MP	2016	00	4/8		
MODEL LIFT:				REFERENCE: MPGO!FLEXXLFONDO320S_EN	
<b>MP GO! FLEX XL</b>				CLIENT:	
CAPACITY: [N° PERSONS]			4	WORK SITUATION:	
NOMINAL LOAD: [kg]			320		
SPEED: [m/s]			1		
FREQUENCY: [Hz]			50		
TENSION: [V]		380V [Three-phase]		<b>MP LIFTS</b>	

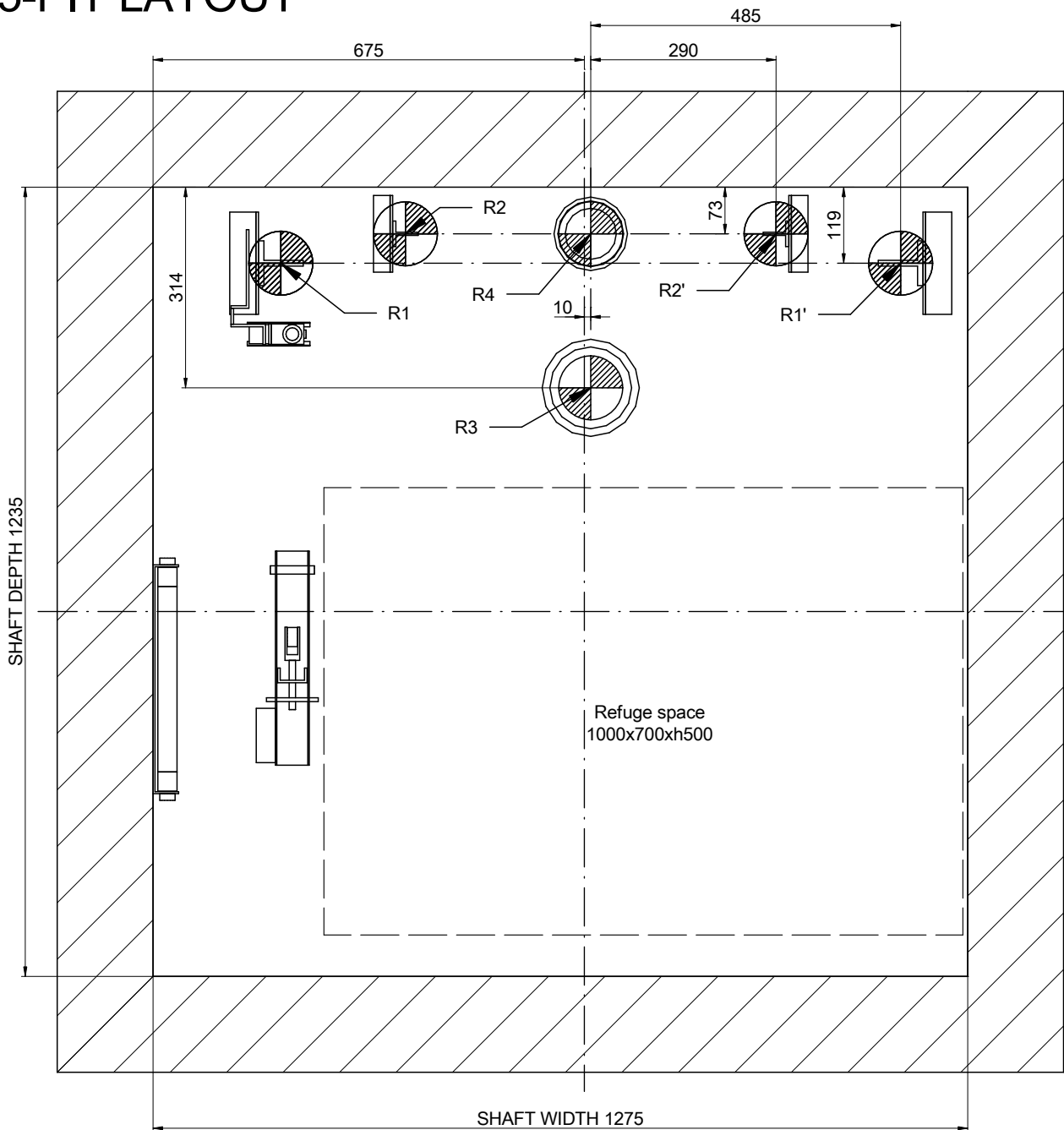
# 04-BEAM AND LIFTING HOOKS

POSITION OF REMOVABLE LIFTING HOOKS ABLE TO SUPPORT  
1000 kg EACH ONE SUPPLIED BY CONSTRUCTOR  
(RECOMMENDED POSITION LOADHOOKS)



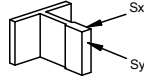
DRAWING	DATE	REV.	SHEET	[*] Unbounded dimensions in drawings are indicative and not binding.	
MP	2016	00	5/8		
MODEL LIFT:				REFERENCE:	
MP GO! FLEX XL				MPGO!FLEXXLFONDO320S_EN	
CAPACITY: [N° PERSONS]				4	CLIENT:
NOMINAL LOAD: [kg]				320	
SPEED: [m/s]				1	WORK SITUATION:
FREQUENCY: [Hz]				50	
TENSION: [V]				380V [Three-phase]	MP LIFTS


# 05-PIT LAYOUT



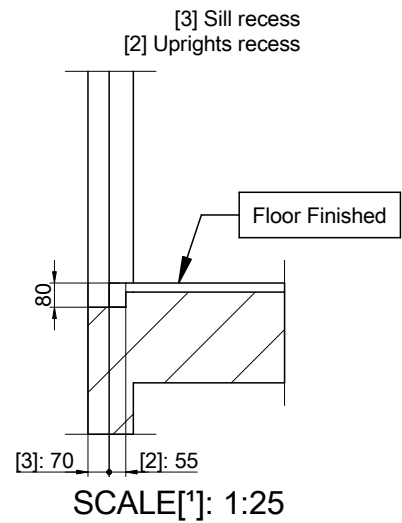
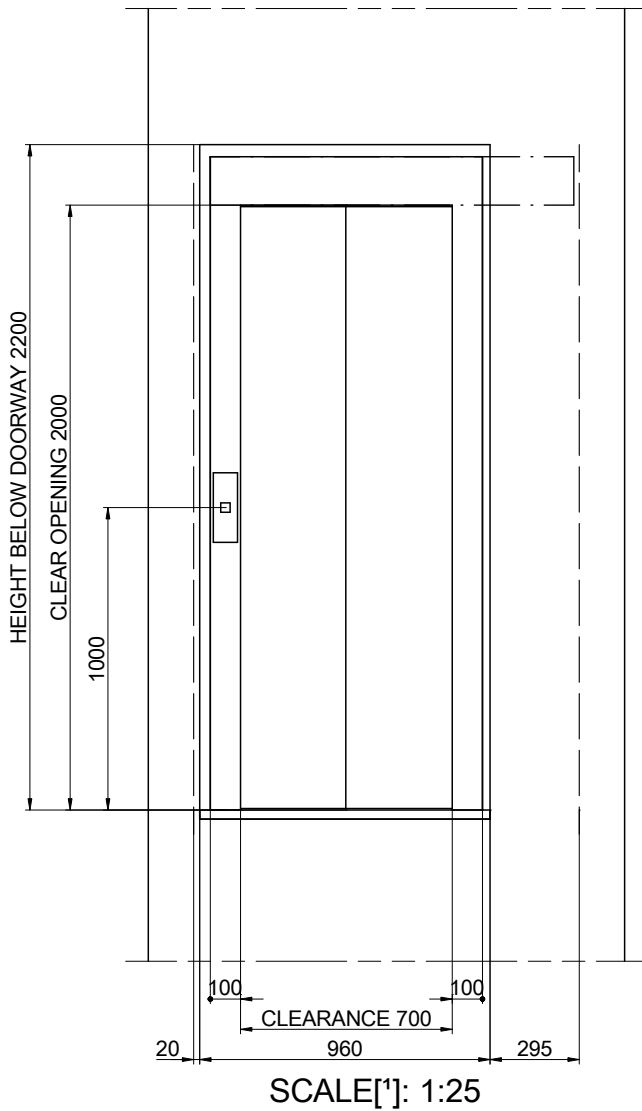
REACTIONS [N] [max.]


R1	30000	R2	3000
R1'	30000	R2'	3000
R3	40000	R4	33000
Sx	2900	Sy	900



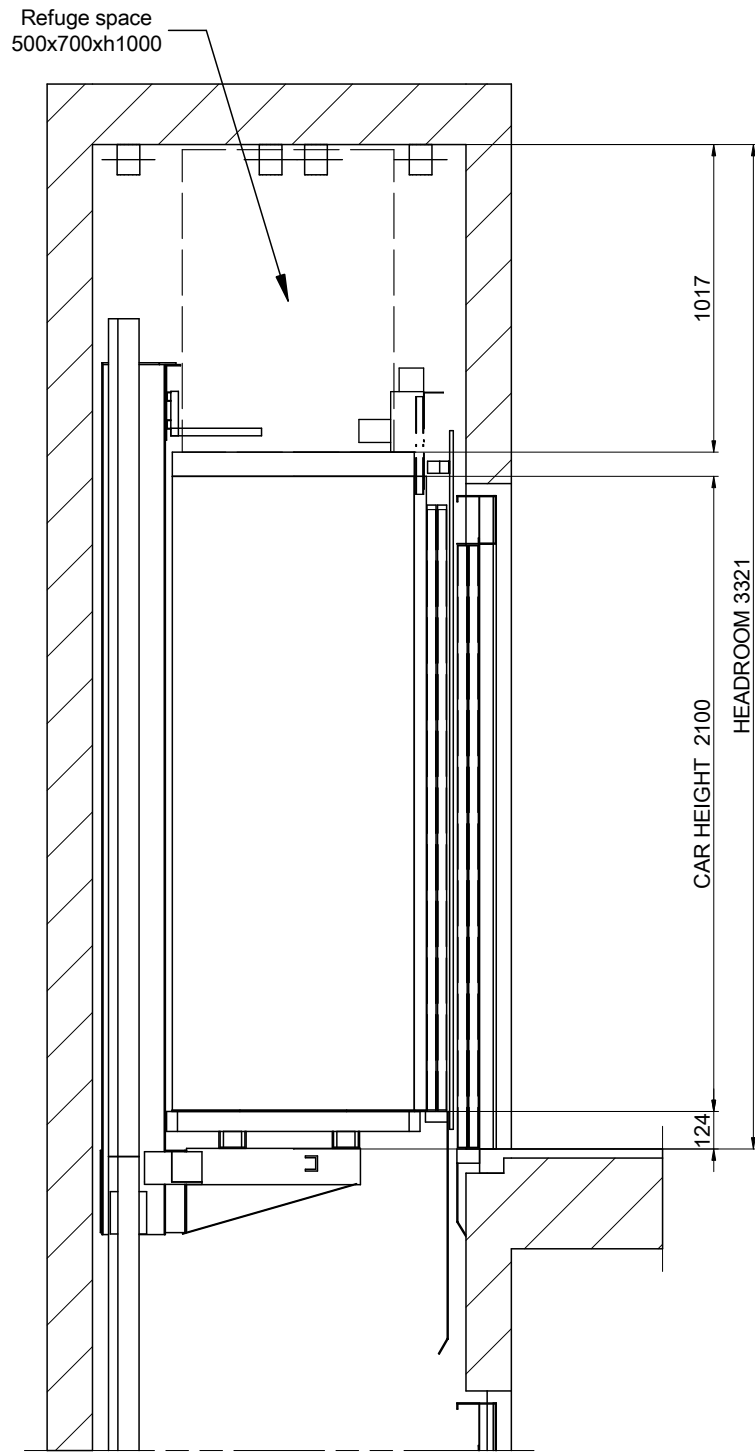
DRAWING	DATE	REV.	SHEET	[*] Unbounded dimensions in drawings are indicative and not binding.	
MP	2016	00	6/8	REFERENCE: MPGO!FLEXXLFONDO320S_EN	
MODEL LIFT:				CLIENT:	WORK SITUATION:
MP GO! FLEX XL					
CAPACITY: [N° PERSONS]			4	<h2>MP LIFTS</h2>	
NOMINAL LOAD: [kg]			320		
SPEED: [m/s]			1		
FREQUENCY: [Hz]			50		
TENSION: [V]			380V [Three-phase]		

# 06-DOOR HOLE DETAIL




DRAWING	DATE	REV.	SHEET	[*] Unbounded dimensions in drawings are indicative and not binding.	
MP	2016	00	7/8	REFERENCE: MPGO!FLEXXLFONDO320S_EN	
MODEL LIFT:				CLIENT: WORK SITUATION:	
MP GO! FLEX XL					
CAPACITY: [N° PERSONS]			4		
NOMINAL LOAD: [kg]			320		
SPEED: [m/s]			1		
FREQUENCY: [Hz]			50		
TENSION: [V]			380V [Three-phase]	<b>MP LIFTS</b>	

# 07-HEADROOM



SCALE[\*]: 1:25

DRAWING	DATE	REV.	SHEET	[*] Unbounded dimensions in drawings are indicative and not binding.	
MP	2016	00	8/8		
MODEL LIFT:				REFERENCE:	
MP GO! FLEX XL				MPGO!FLEXXLFONDO320S_EN	
CAPACITY: [N° PERSONS]				CLIENT:	
NOMINAL LOAD: [kg]				WORK SITUATION:	
SPEED: [m/s]					
FREQUENCY: [Hz]					
TENSION: [V]					
380V [Three-phase]					
					<b>MP LIFTS</b>