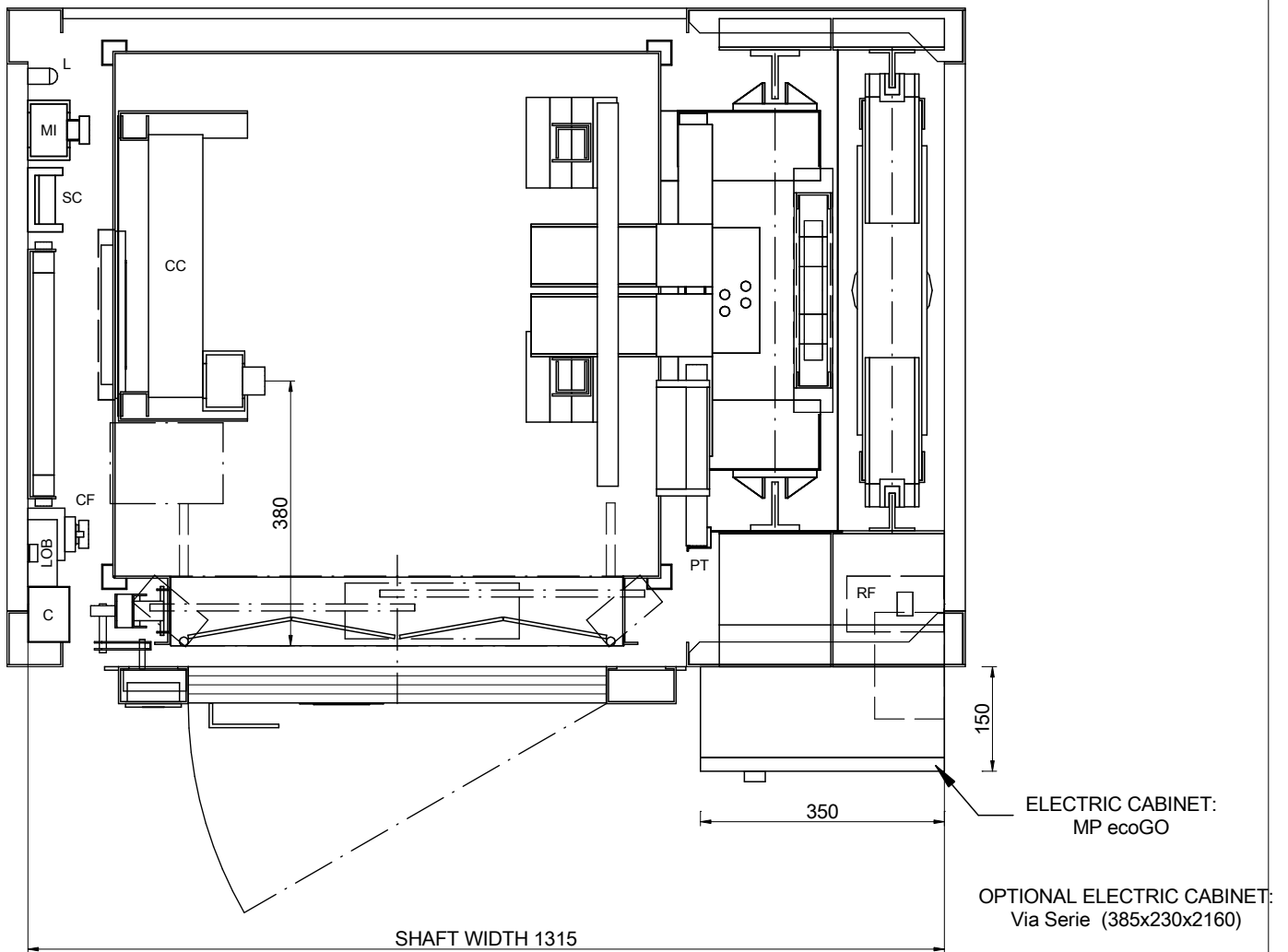


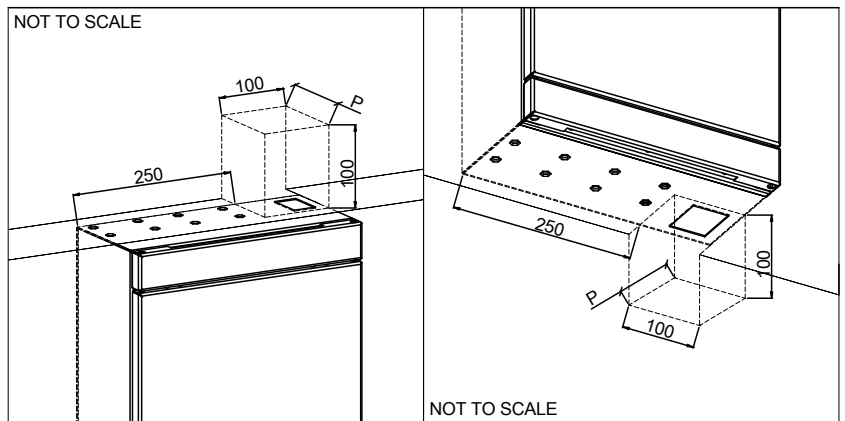
01B-PLAN VIEW



SCALE[*]: 1:10

NOMENCLATURE

- C: Wiring channel
- CC: Car ceiling connection box
- CF: Pit box
- CL: Shaft light switch
- DOC: Operator control box
- L: Lamp
- LOB: Pushbutton control board
- MI: Inspection control station
- PT: Fixed cam
- RF: Brake resistor
- ST: Stopping device
- SC: Travelling cable support



DRAWING	DATE	REV.	SHEET
MP	2016	00	2/8
MODEL LIFT:			
MP GO! FLEX			
CAPACITY: [N° PERSONS]		2	
NOMINAL LOAD: [kg]		180	
SPEED: [m/s]		1	
FREQUENCY: [Hz]		50	
TENSION: [V]		380V [Three-phase]	

[*] Unbounded dimensions in drawings are indicative and not binding.

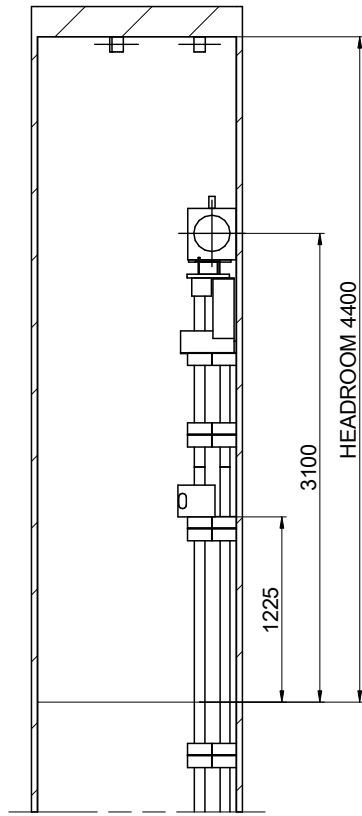
REFERENCE:
MPGO!FLEXLATERAL180S_EN

CLIENT:
WORK SITUATION:

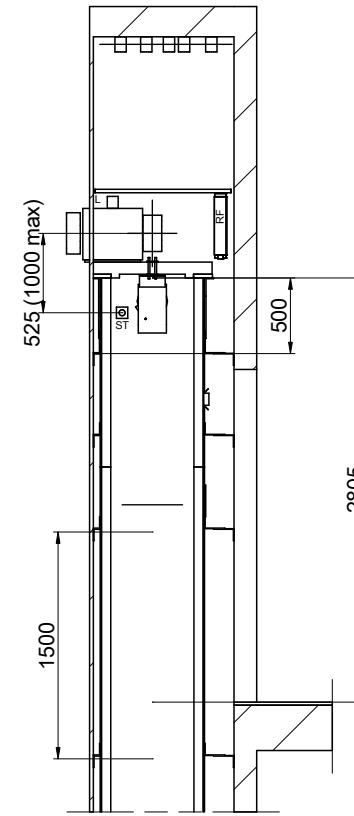


MP LIFTS


03B-FIXING DETAILS IN HEADROOM



SCALE[*]: 1:50

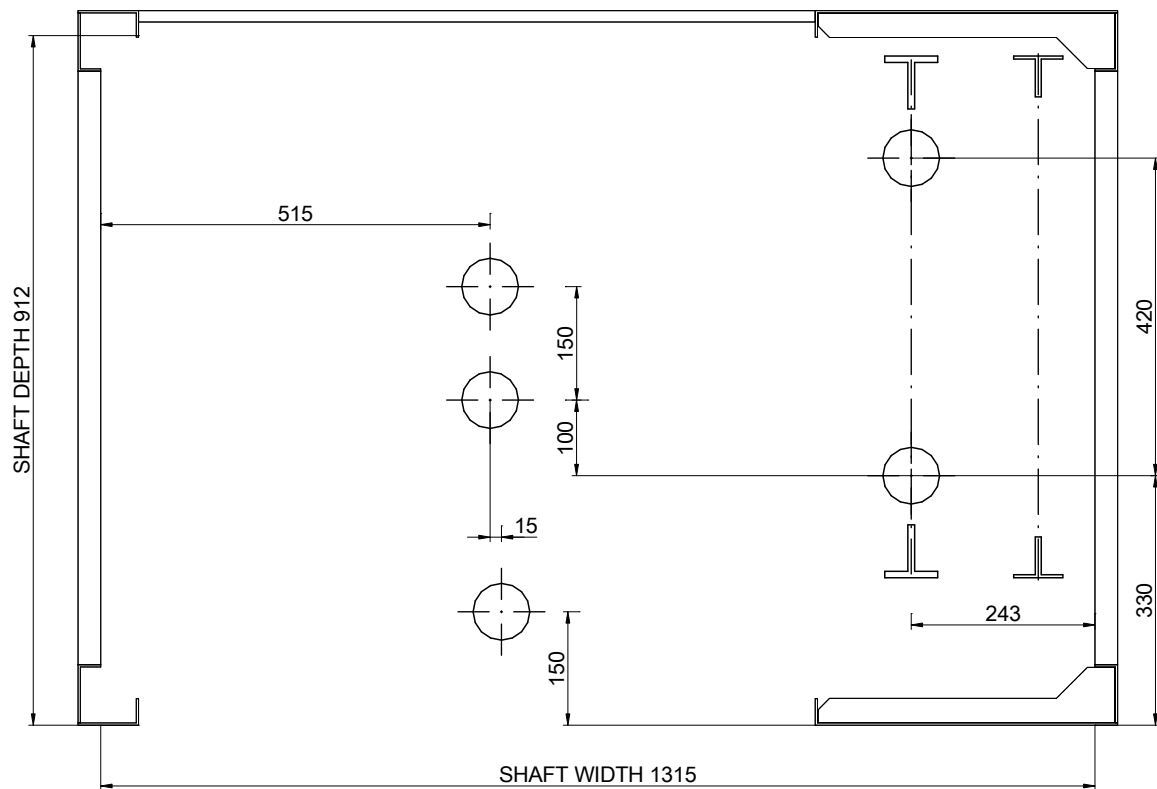


SCALE[*]: 1:50


DRAWING	DATE	REV.	SHEET	[*] Unbounded dimensions in drawings are indicative and not binding.	
MP	2016	00	4/8		
MODEL LIFT:				REFERENCE: MPGO!FLEXLATERAL180S_EN	
MP GO! FLEX				CLIENT:	
CAPACITY: [N° PERSONS]			2	WORK SITUATION:	
NOMINAL LOAD: [kg]			180		
SPEED: [m/s]			1		
FREQUENCY: [Hz]			50		
TENSION: [V]		380V [Three-phase]		MP LIFTS	

04-BEAM AND LIFTING HOOKS

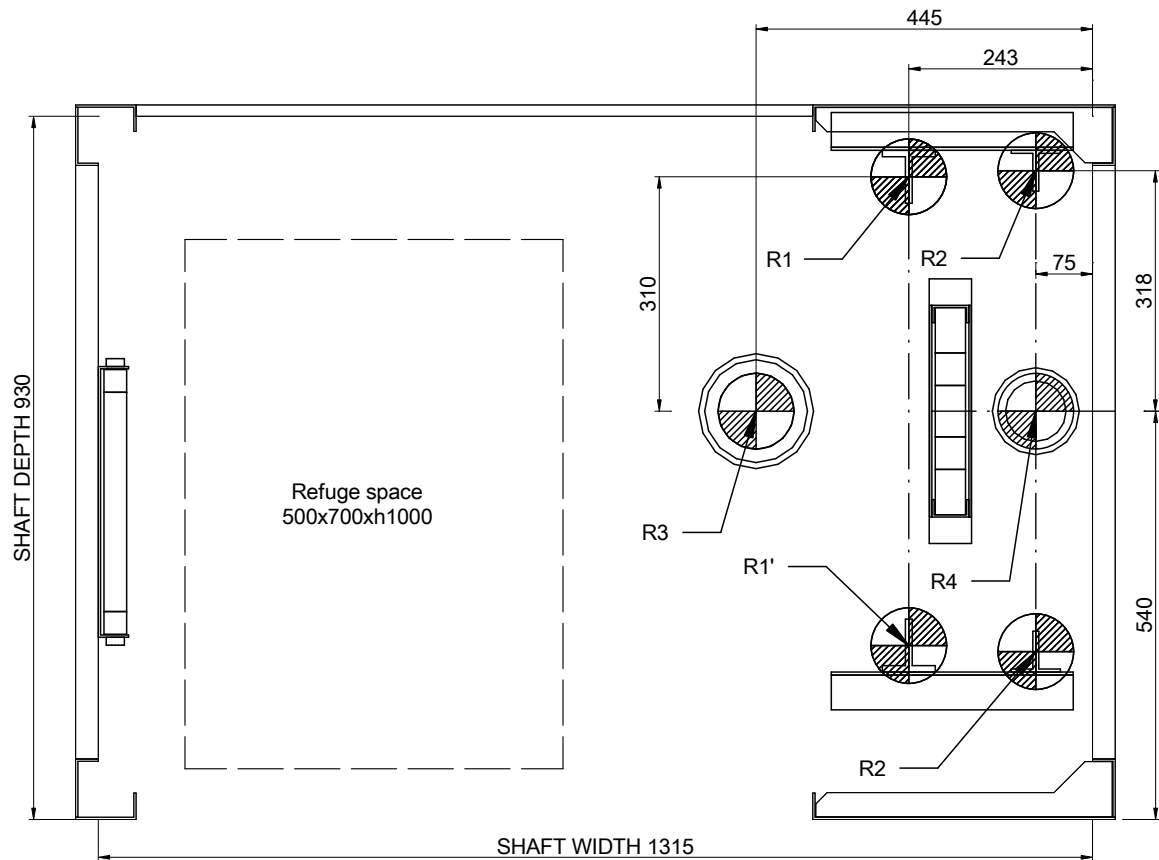
POSITION OF REMOVABLE LIFTING HOOKS ABLE TO SUPPORT
1000 kg EACH ONE SUPPLIED BY CONSTRUCTOR
(RECOMMENDED POSITION LOADHOOKS)



SCALE[*]: 1:10


DRAWING	DATE	REV.	SHEET	[*] Unbounded dimensions in drawings are indicative and not binding.		
MP	2016	00	5/8	REFERENCE: MPGO!FLEXLATERAL180S_EN		
MODEL LIFT:				CLIENT:		MP LIFTS
MP GO! FLEX				WORK SITUATION:		
CAPACITY: [N° PERSONS]			2			
NOMINAL LOAD: [kg]			180			
SPEED: [m/s]			1			
FREQUENCY: [Hz]			50			
TENSION: [V]		380V [Three-phase]				

05-PIT LAYOUT

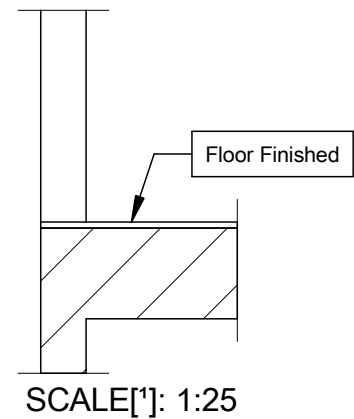
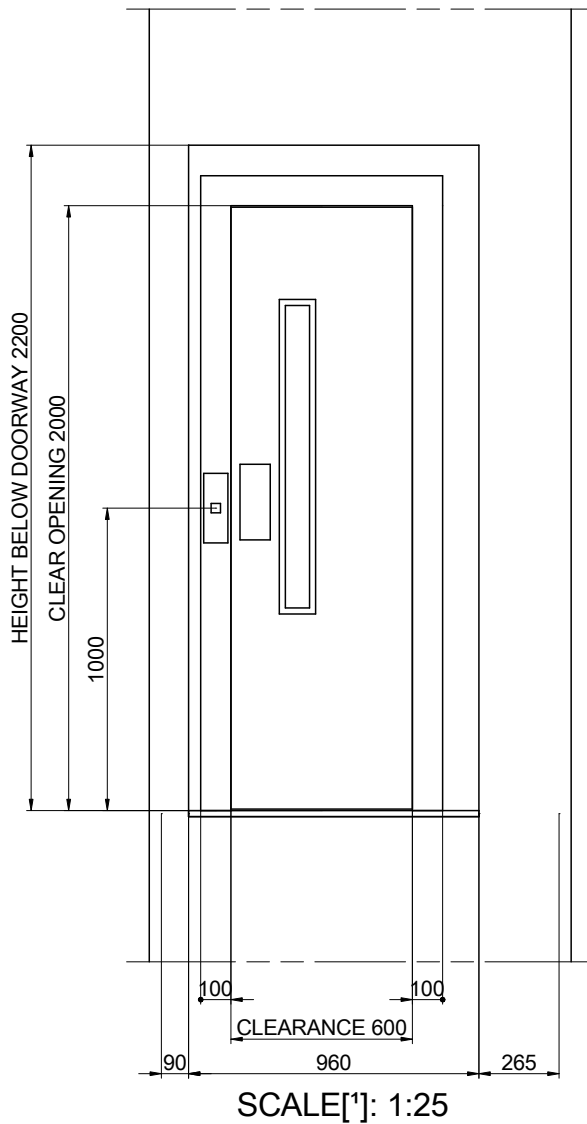



SCALE[*]: 1:10

REACTIONS [N] [max.]			
R1	15000	R2	900
R1'	15000	R2'	900
R3	30000	R4	25500
N	1500	T	500

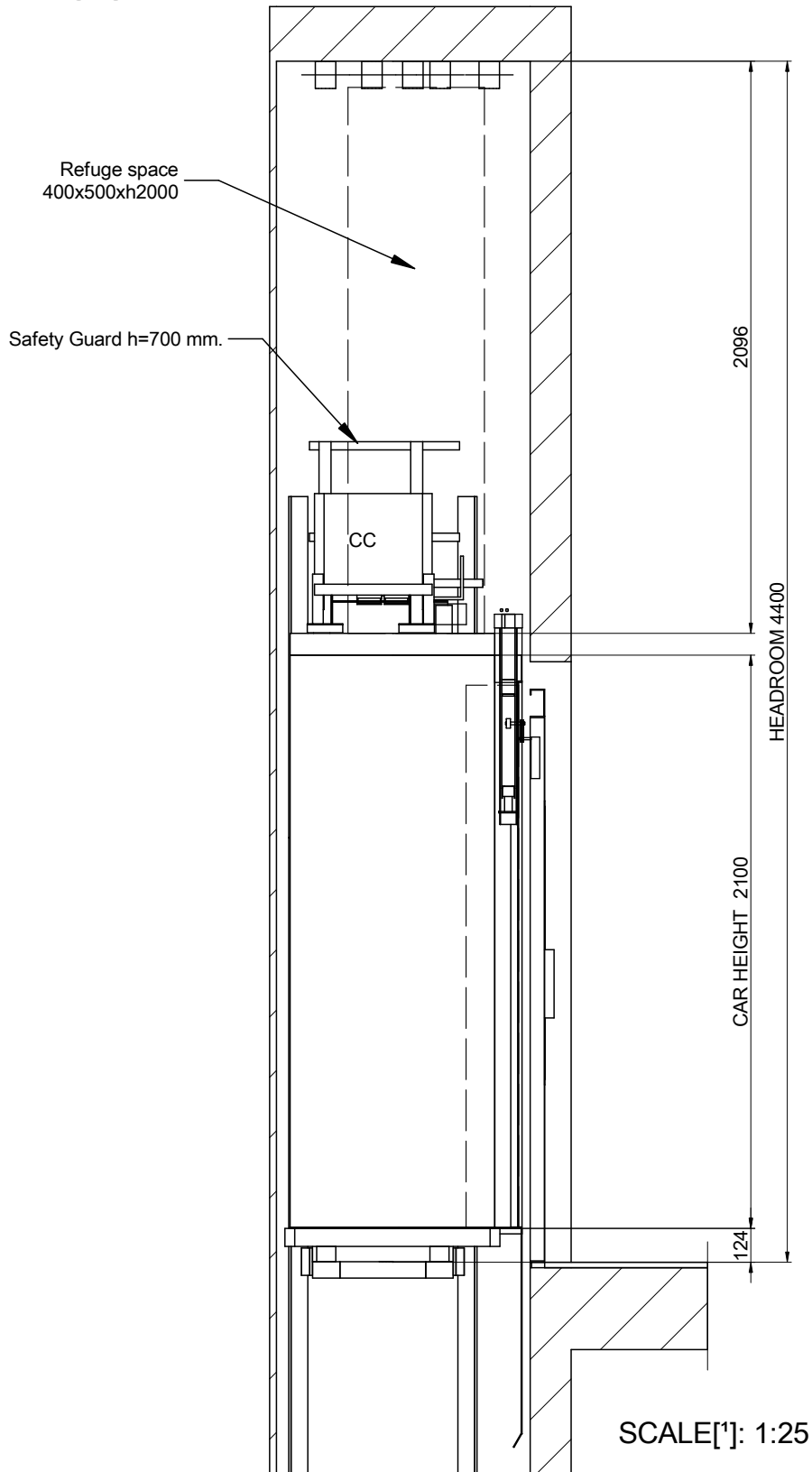
DRAWING	DATE	REV.	SHEET	[*] Unbounded dimensions in drawings are indicative and not binding.	
MP	2016	00	6/8	REFERENCE: MPGO!FLEXLATERAL180S_EN	
MODEL LIFT:				CLIENT:	WORK SITUATION:
MP GO! FLEX					
CAPACITY: [N° PERSONS]			2	<h2>MP LIFTS</h2>	
NOMINAL LOAD: [kg]			180		
SPEED: [m/s]			1		
FREQUENCY: [Hz]			50		
TENSION: [V]			380V [Three-phase]		


06-DOOR HOLE DETAIL



DRAWING	DATE	REV.	SHEET	[*] Unbounded dimensions in drawings are indicative and not binding.	
MP	2016	00	7/8	REFERENCE: MPGO!FLEXLATERAL180S_EN	
MODEL LIFT:				CLIENT: WORK SITUATION:	<p style="text-align: center; font-size: 2em; font-weight: bold;">MP LIFTS</p>
MP GO! FLEX					
CAPACITY: [N° PERSONS]			2		
NOMINAL LOAD: [kg]			180		
SPEED: [m/s]			1		
FREQUENCY: [Hz]			50		
TENSION: [V]		380V [Three-phase]			

07-HEADROOM



DRAWING	DATE	REV.	SHEET	[*] Unbounded dimensions in drawings are indicative and not binding.		
MP	2016	00	8/8			
MODEL LIFT:				REFERENCE:	<p>MP LIFTS</p>	
MP GO! FLEX				MPGO!FLEXLATERAL180S_EN		
CAPACITY: [N° PERSONS]				2		CLIENT:
NOMINAL LOAD: [kg]				180		WORK SITUATION:
SPEED: [m/s]				1		
FREQUENCY: [Hz]				50		
TENSION: [V]				380V [Three-phase]		