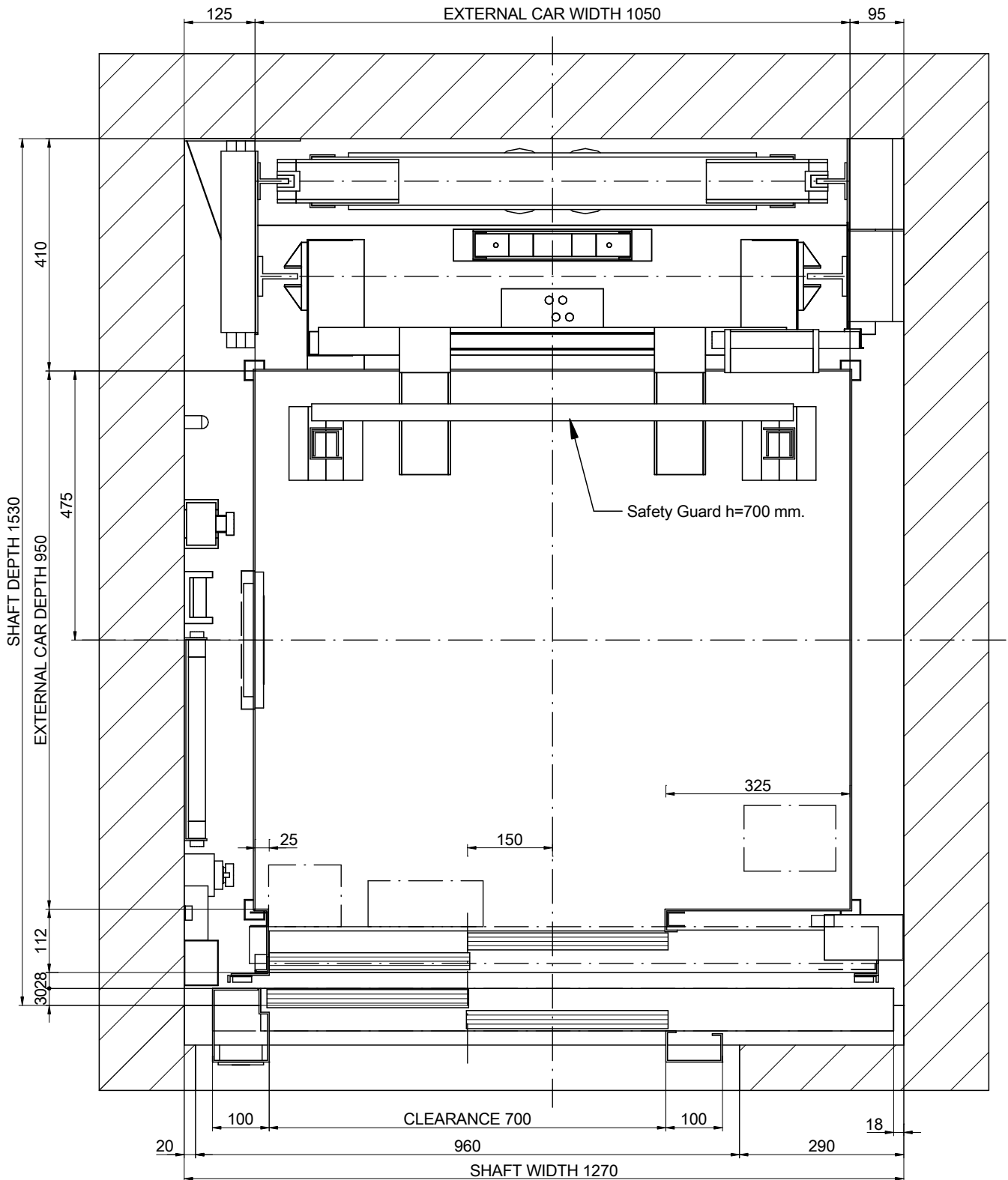

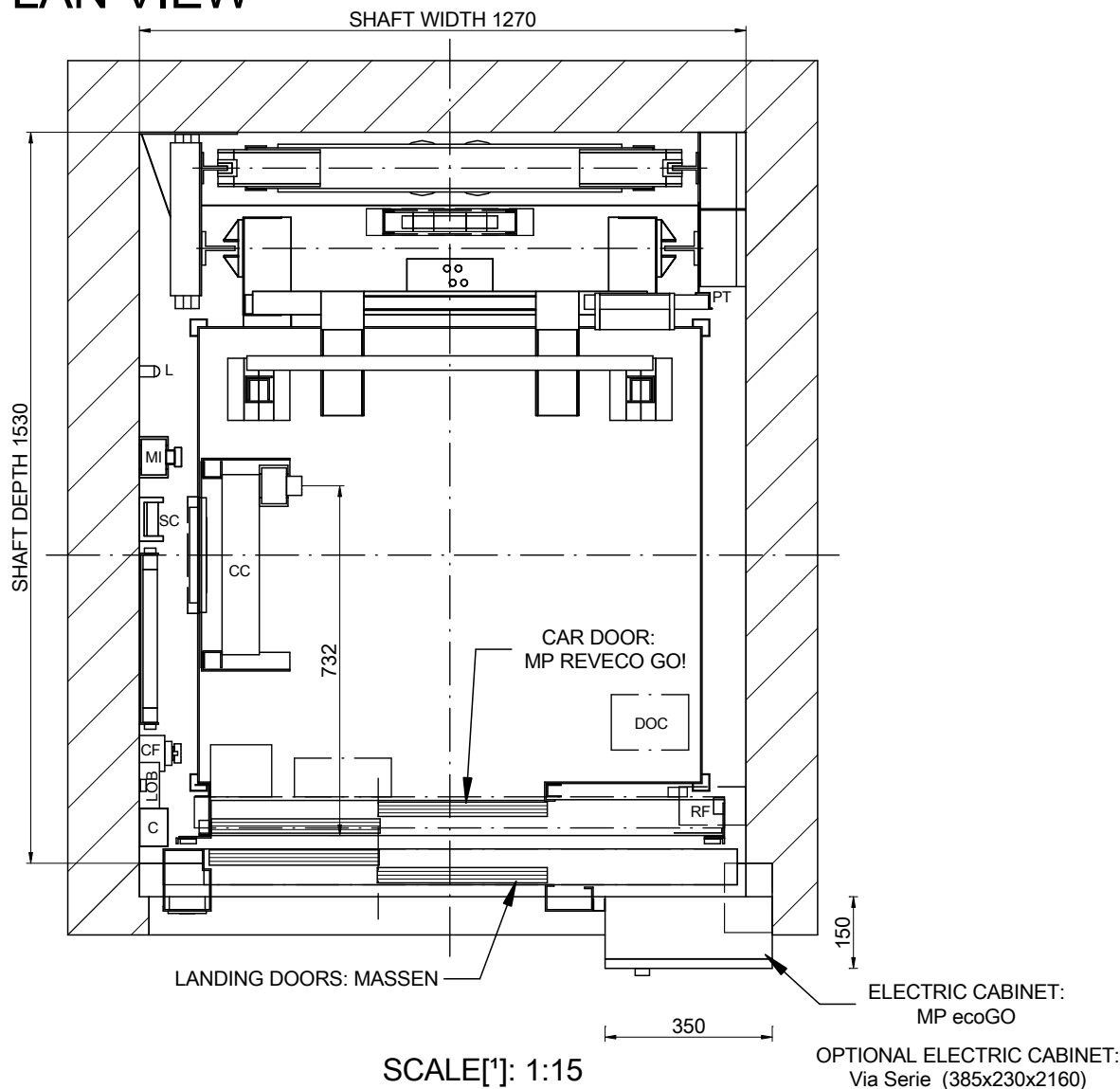


01-PLAN VIEW



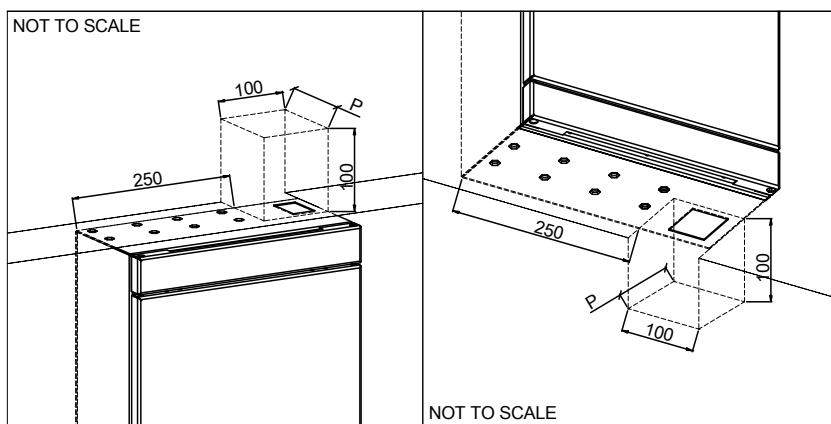
DRAWING	DATE	REV.	SHEET	[*] Unbounded dimensions in drawings are indicative and not binding. REFERENCE: MPGO!FLEXFONDO375S_EN	
MP	2016	00	1/8		
MODEL LIFT:				CLIENT:	WORK SITUATION:
MP GO! FLEX					
CAPACITY: [N° PERSONS]			5	<h2>MP LIFTS</h2>	
NOMINAL LOAD: [kg]			375		
SPEED: [m/s]			1		
FREQUENCY: [Hz]			50		
TENSION: [V]			380V [Three-phase]		

01B-PLAN VIEW



NOMENCLATURE

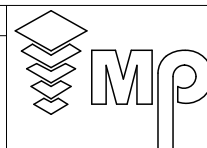
- C: Wiring channel
- CC: Car ceiling connection box
- CF: Pit box
- CL: Shaft light switch
- DOC: Operator control box
- L: Lamp
- LOB: Pushbutton control board
- MI: Inspection control station
- PT: Fixed cam
- RF: Brake resistor
- ST: Stopping device
- SC: Travelling cable support



DRAWING	DATE	REV.	SHEET
MP	2016	00	2/8
MODEL LIFT:			
MP GO! FLEX			
CAPACITY: [N° PERSONS]			5
NOMINAL LOAD: [kg]			375
SPEED: [m/s]			1
FREQUENCY: [Hz]			50
TENSION: [V]		380V [Three-phase]	

[*] Unbounded dimensions in drawings are indicative and not binding.

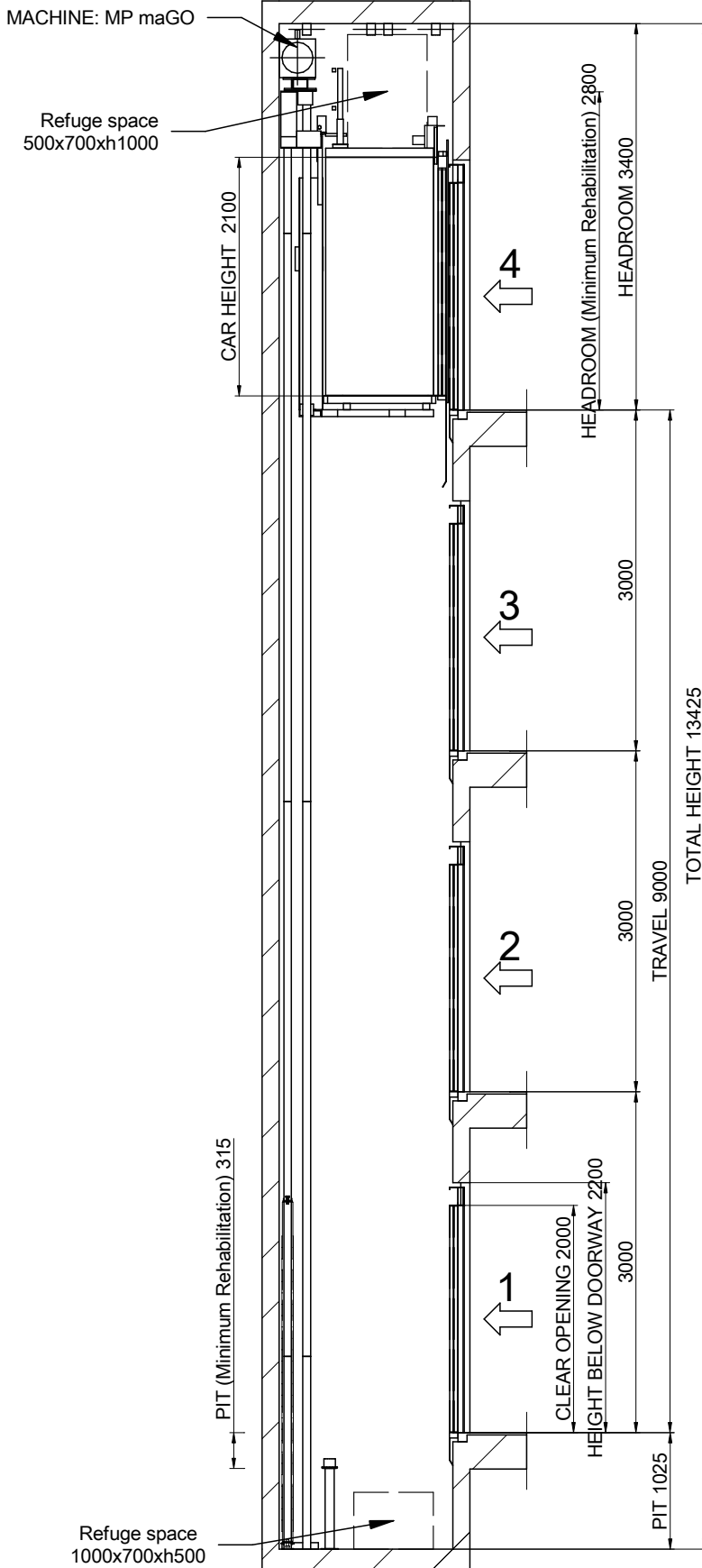
REFERENCE:
MPGO!FLEXFONDO375S_EN




CLIENT:
WORK SITUATION:

MP LIFTS

02-SIDE VERTICAL SECTION

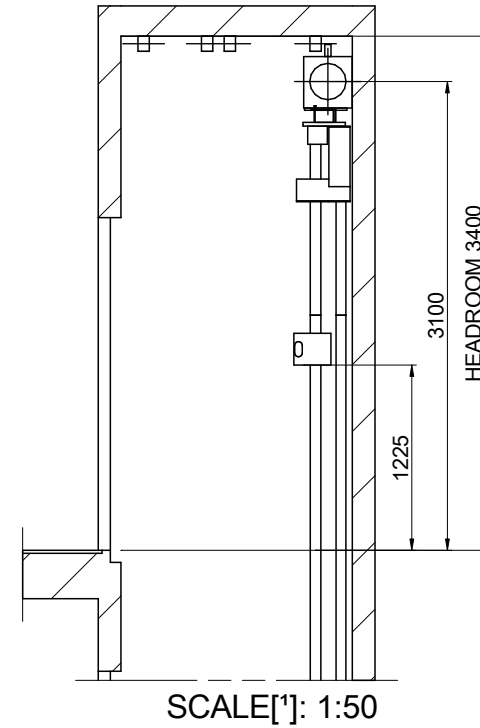
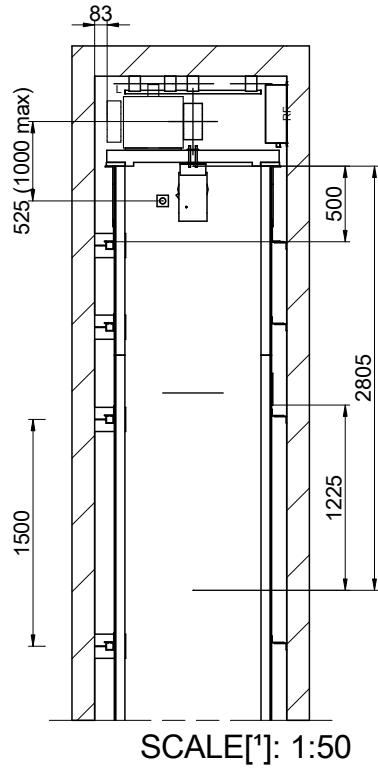



SCALE[1]: 1:60

		[*] Unbounded dimensions in drawings are indicative and not binding.	
		REFERENCE: MPGOIFLEXFONDO375S_EN	
DRAWING	DATE	REV.	SHEET
MP	2016	00	3/8
MODEL LIFT:			
MP GO! FLEX			
CAPACITY: [N° PERSONS]		5	
NOMINAL LOAD: [kg]		375	
SPEED: [m/s]		1	
FREQUENCY: [Hz]		50	
TENSION: [V]		380V [Three-phase]	
CLIENT:			MP LIFTS
WORK SITUATION:			

Flat and levelled floor, protected against water leaking.
 [EN81-20:2014 5.2.1.9]
 Foresee pit access device
 [EN81-20:2014 5.2.2.4]
 Stop device
 [EN81-20:2014 5.2.1.5.1. a)
 Inspection control station.
 [EN81-20:2014 5.2.1.5.1. b)
 Power supply
 [EN81-20:2014 5.2.1.5.1. c)
 Light switch
 commuted with the cabinet.
 [EN81-20:2014 5.2.1.5.1. d)

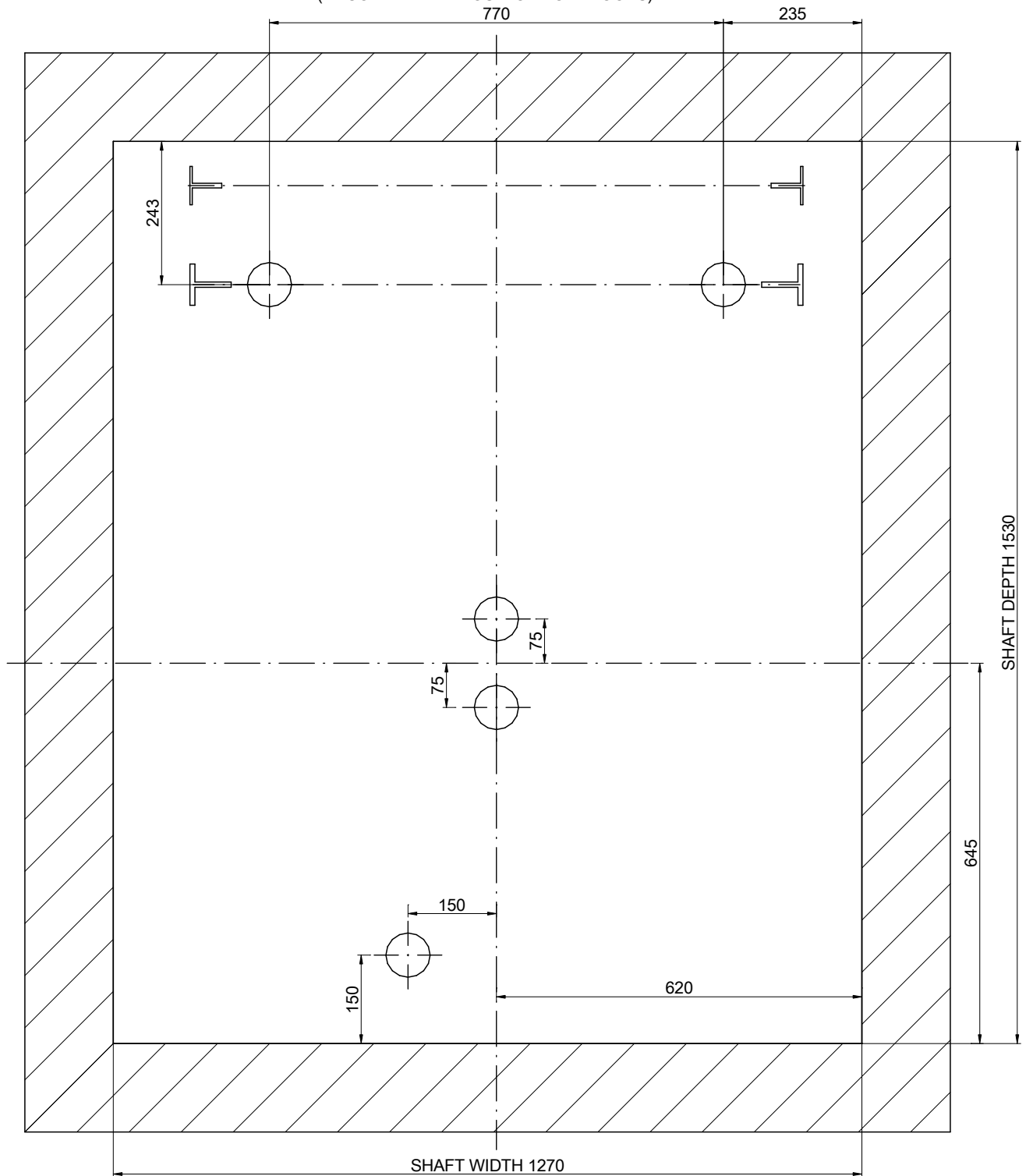
03B-FIXING DETAILS IN HEADROOM




DRAWING	DATE	REV.	SHEET	[*] Unbounded dimensions in drawings are indicative and not binding.	
MP	2016	00	4/8		
MODEL LIFT:				REFERENCE: MPGO!FLEXFONDO375S_EN	
MP GO! FLEX				CLIENT:	
CAPACITY: [N° PERSONS]			5	WORK SITUATION:	
NOMINAL LOAD: [kg]			375		
SPEED: [m/s]			1		
FREQUENCY: [Hz]			50		
TENSION: [V]			380V [Three-phase]	MP LIFTS	

04-BEAM AND LIFTING HOOKS

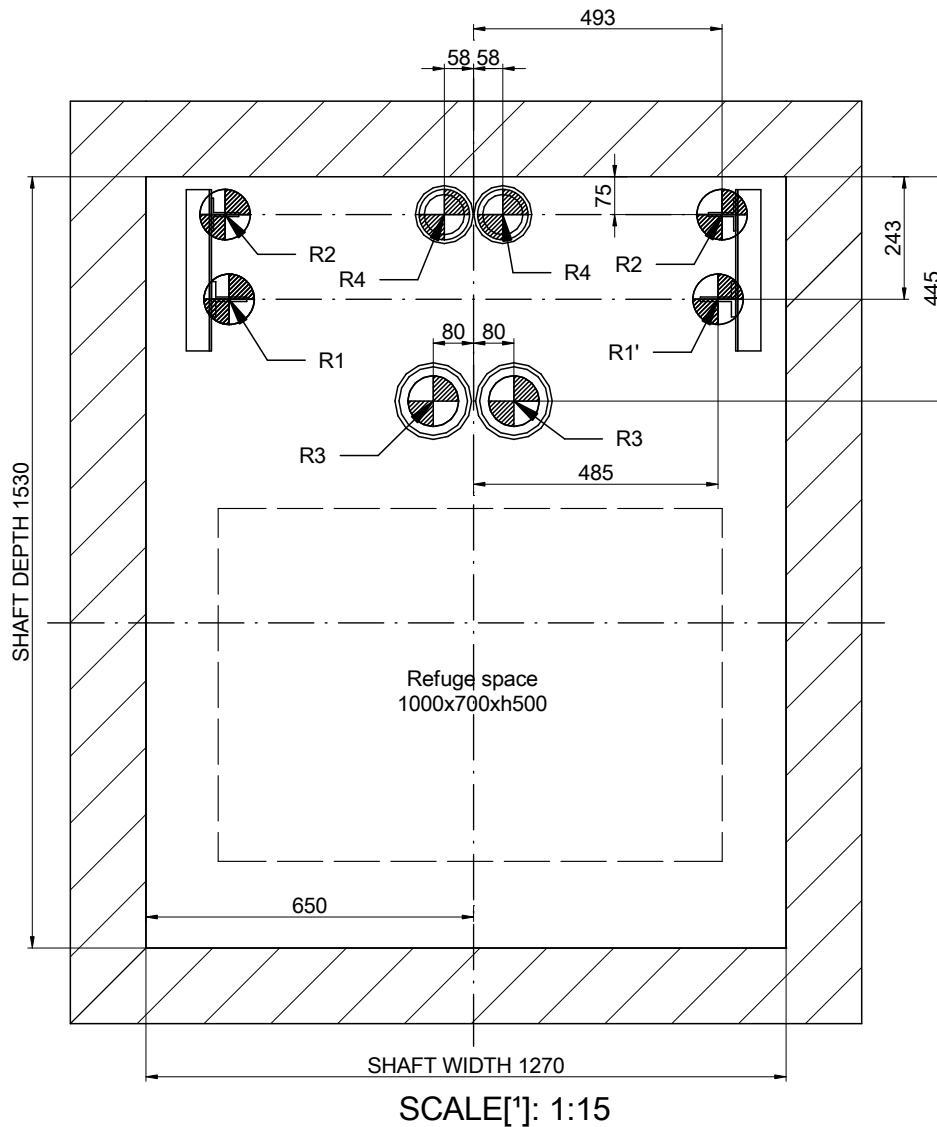
POSITION OF REMOVABLE LIFTING HOOKS ABLE TO SUPPORT
1000 kg EACH ONE SUPPLIED BY CONSTRUCTOR
(RECOMMENDED POSITION LOADHOOKS)




SCALE[*]: 1:10

DRAWING	DATE	REV.	SHEET	[*] Unbounded dimensions in drawings are indicative and not binding. REFERENCE: MPGO!FLEXFONDO375S_EN	
MP	2016	00	5/8		
MODEL LIFT:				CLIENT: WORK SITUATION:	<p style="text-align: center; font-size: 24px; font-weight: bold;">MP LIFTS</p>
MP GO! FLEX					
CAPACITY: [N° PERSONS]			5		
NOMINAL LOAD: [kg]			375		
SPEED: [m/s]			1		
FREQUENCY: [Hz]			50		
TENSION: [V]			380V [Three-phase]		

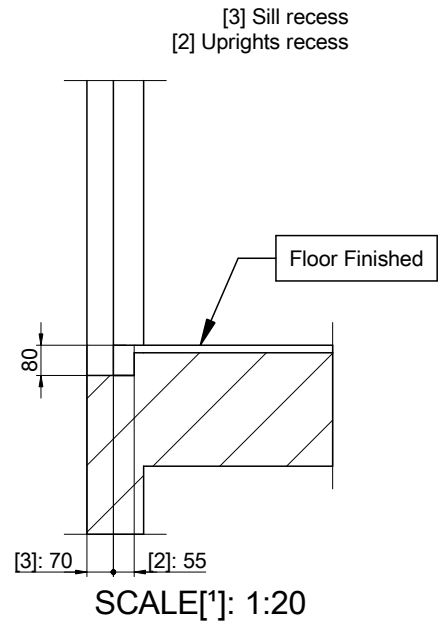
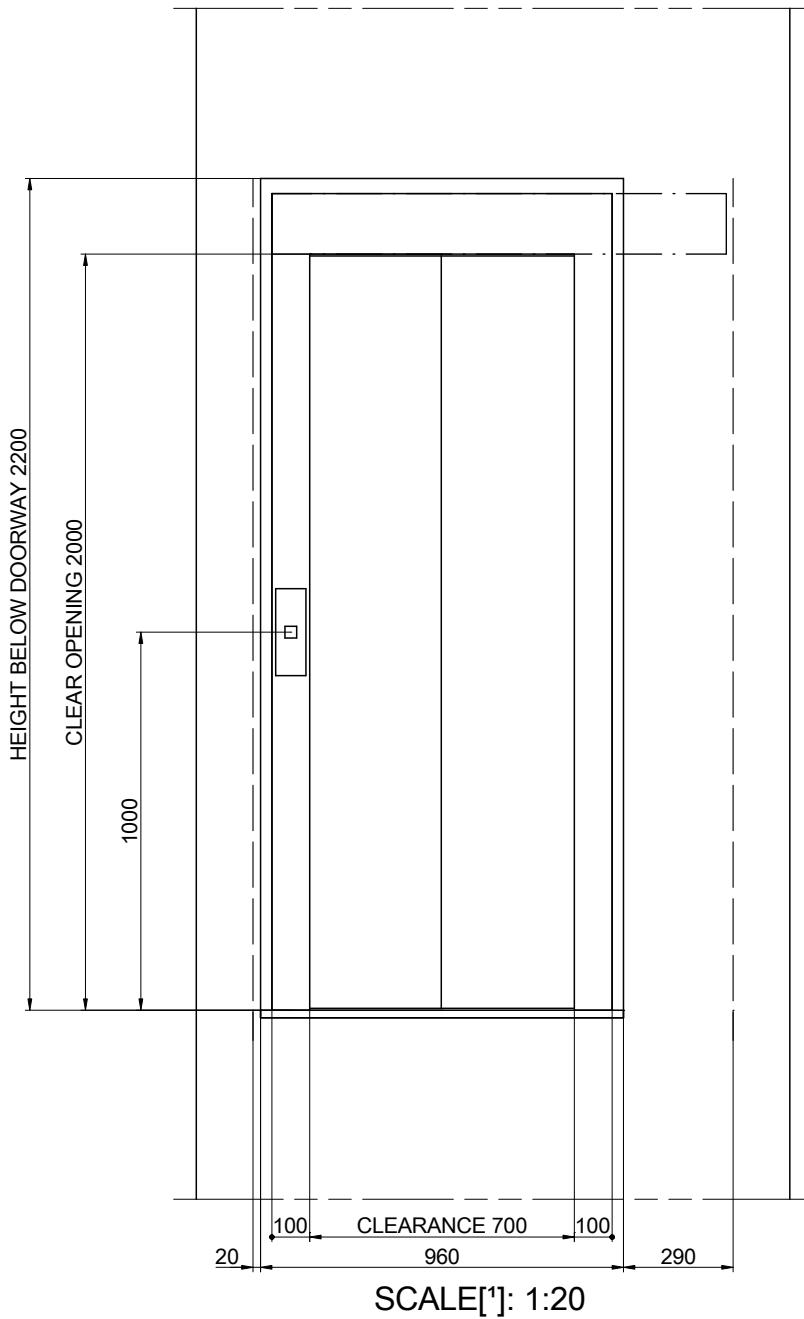
05-PIT LAYOUT




REACTIONS [N] [max.]			
R1	20000	R2	1000
R1'	20000	R2'	1000
R3	20500	R4	17500
N	3000	T	1000

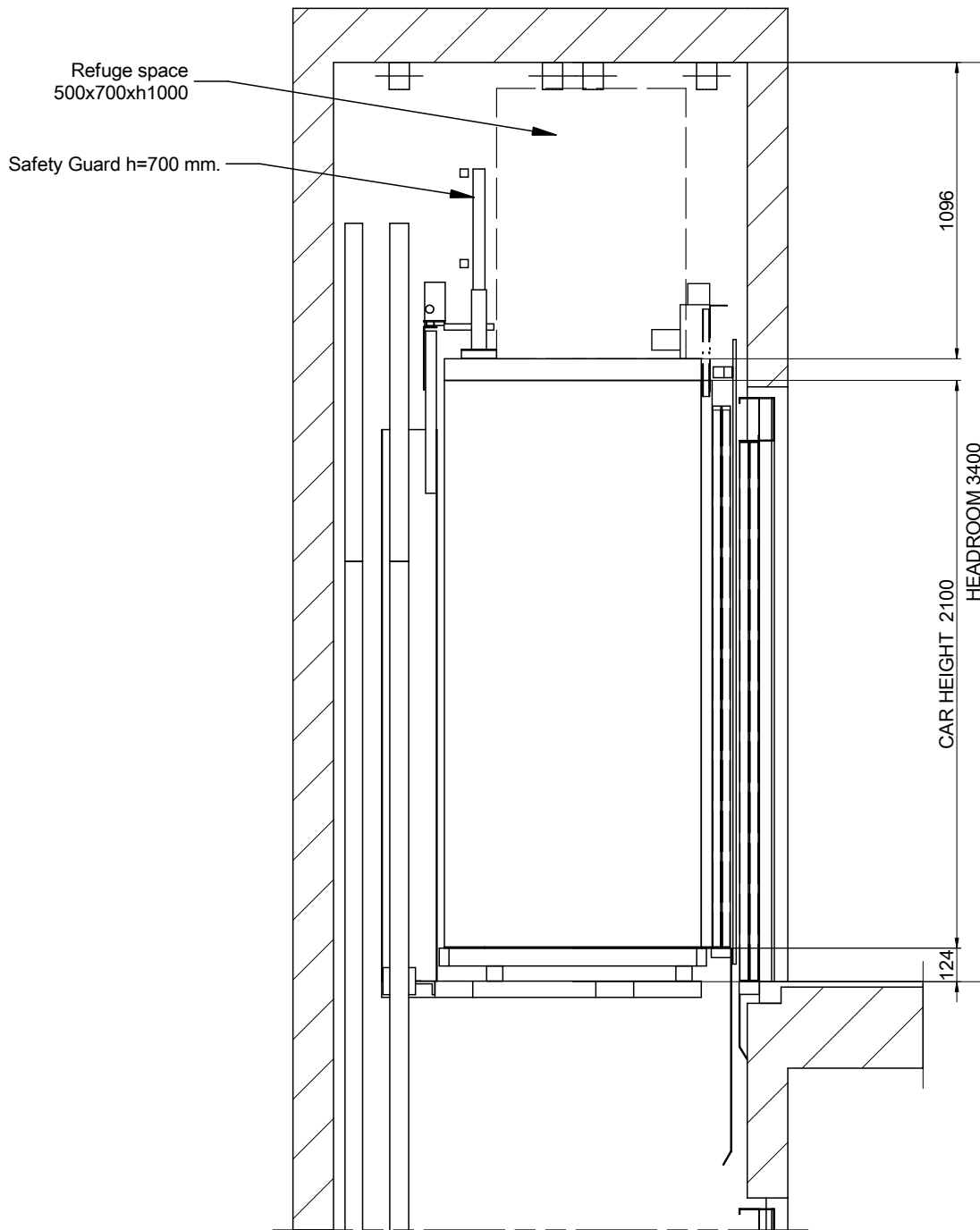
DRAWING	DATE	REV.	SHEET	[*] Unbounded dimensions in drawings are indicative and not binding. REFERENCE: MPGO!FLEXFONDO375S_EN	
MP	2016	00	6/8		
MODEL LIFT:				CLIENT: WORK SITUATION:	<p style="text-align: center; font-size: 2em; font-weight: bold;">MP LIFTS</p>
MP GO! FLEX					
CAPACITY: [N° PERSONS]		5			
NOMINAL LOAD: [kg]		375			
SPEED: [m/s]		1			
FREQUENCY: [Hz]		50			
TENSION: [V]		380V [Three-phase]			

06-DOOR HOLE DETAIL




DRAWING	DATE	REV.	SHEET	[*] Unbounded dimensions in drawings are indicative and not binding.	
MP	2016	00	7/8	REFERENCE: MPGO!FLEXFONDO375S_EN	
MODEL LIFT:				CLIENT:	WORK SITUATION:
MP GO! FLEX					
CAPACITY: [N° PERSONS]			5	<h2>MP LIFTS</h2>	
NOMINAL LOAD: [kg]			375		
SPEED: [m/s]			1		
FREQUENCY: [Hz]			50		
TENSION: [V]			380V [Three-phase]		

07-HEADROOM



SCALE[*]: 1:25

DRAWING	DATE	REV.	SHEET	[*] Unbounded dimensions in drawings are indicative and not binding. REFERENCE: MPGO!FLEXFONDO375S_EN	
MP	2016	00	8/8		
MODEL LIFT:				CLIENT:	WORK SITUATION:
MP GO! FLEX					
CAPACITY: [N° PERSONS]			5	<h2>MP LIFTS</h2>	
NOMINAL LOAD: [kg]			375		
SPEED: [m/s]			1		
FREQUENCY: [Hz]			50		
TENSION: [V]			380V [Three-phase]		