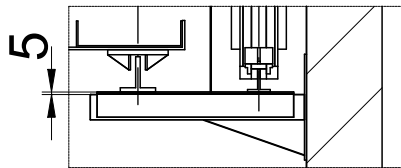


PLAN VIEW



SCALE(*): 1:15

(*): Car floor assembly dimension
CR: Maintenance box.

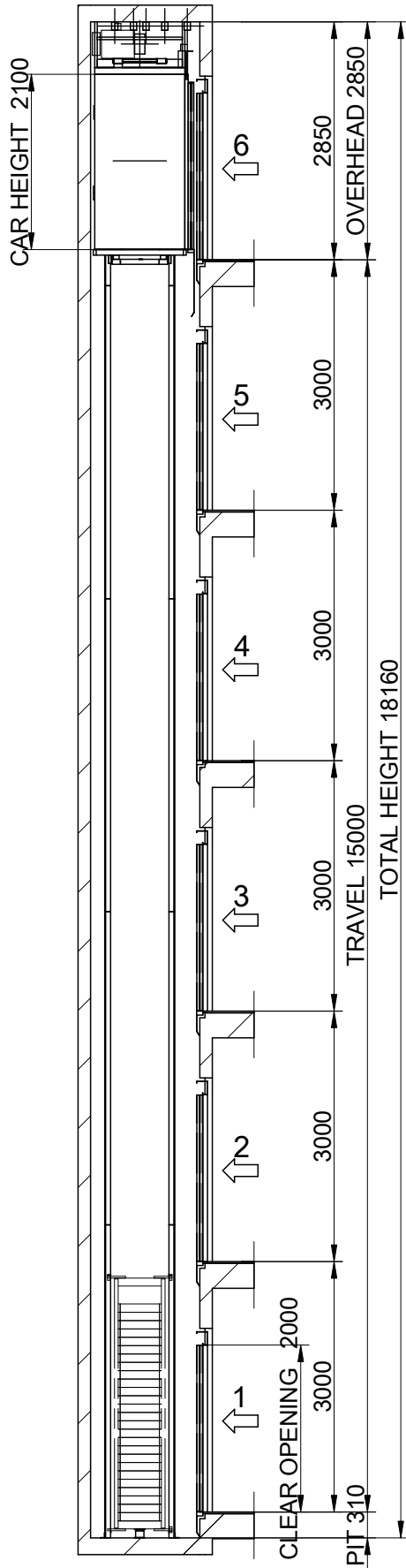


F-1-602.rev.3

(*): Unbounded dimensions in drawings are indicative and not binding.

STOPS (N°) 6		REV. 1			
CAPACITY (N° PERSONS) 7		REFERENCE:			
NOMINAL LOAD (Kg.) 525					
DATE	NAME	CLIENT:	TENSION (V.) TRIFASICO.380V FREQUENCY (Hz.) 50		
DRAWING	2011	MP			WORK SITUATION:
VERIFIED					
APPROV.					
			MODEL LIFT	SPEED (m/s)	
			<div style="border: 1px solid black; padding: 2px;">MP710GO!FLEX1</div>		

SIDE VERTICAL SECTION



SCALE(1): 1:80

F-1-602.rev.3

(1)Unbounded dimensions in drawings are indicative and not binding.

		REV. 1	
		REFERENCE:	
STOPS (N°)	6	DATE	NAME
CAPACITY (N° PERSONS)	7	DRAWING	2011 MP
NOMINAL LOAD (Kg.)	525	VERIFIED	
		APPROV.	
CLIENT:		TENSION (V.)	
WORK SITUATION:		TRIFASICO.380V	
		FREQUENCY (Hz.)	
		50	
MP		MODEL LIFT	SPEED (m/s)
		MP710GOIFLEXI	

Flat and levelled floor, protected against water leaking.

(EN81-1:98, 5.7.3.1)

Foresee pit access device

(EN81-1:98, 5.7.3.2)

Stop device

(EN81-1:98, 5.7.3.4)

Power supply

(EN81-1:98, 5.7.3.4)

Light swicht

commuted with the cabinet.

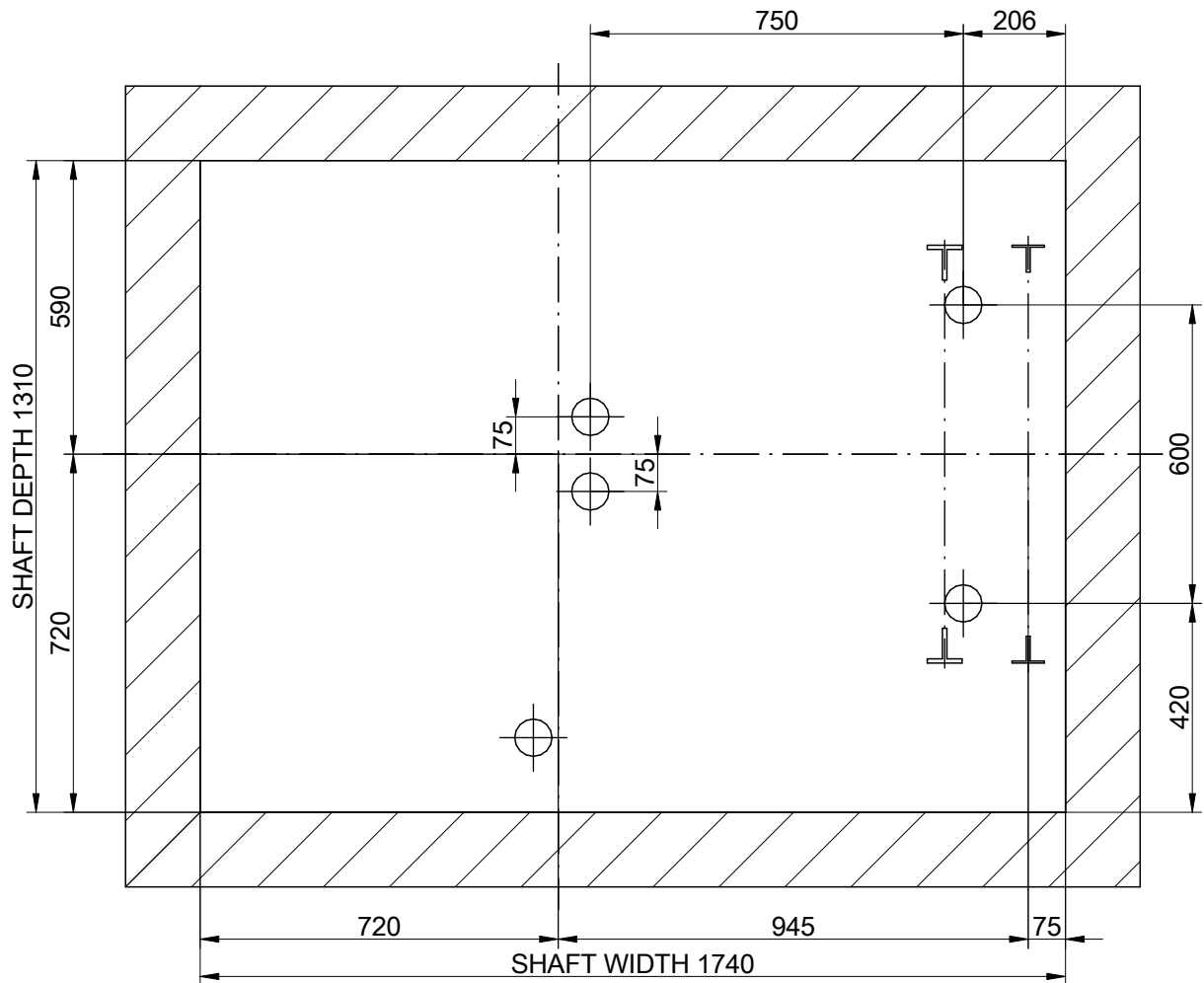
(EN81-1:98, 5.7.3.4)

Telephone jack (except

Fonotec)

(EN81-1:98, 5.10)

ELEVATION HOOKS
 ABLE TO SUPPORT
 1000 Kg. EACH ONE
 SUPPLIED BY CONSTRUCTOR





BEAM AND LIFTING HOOKS

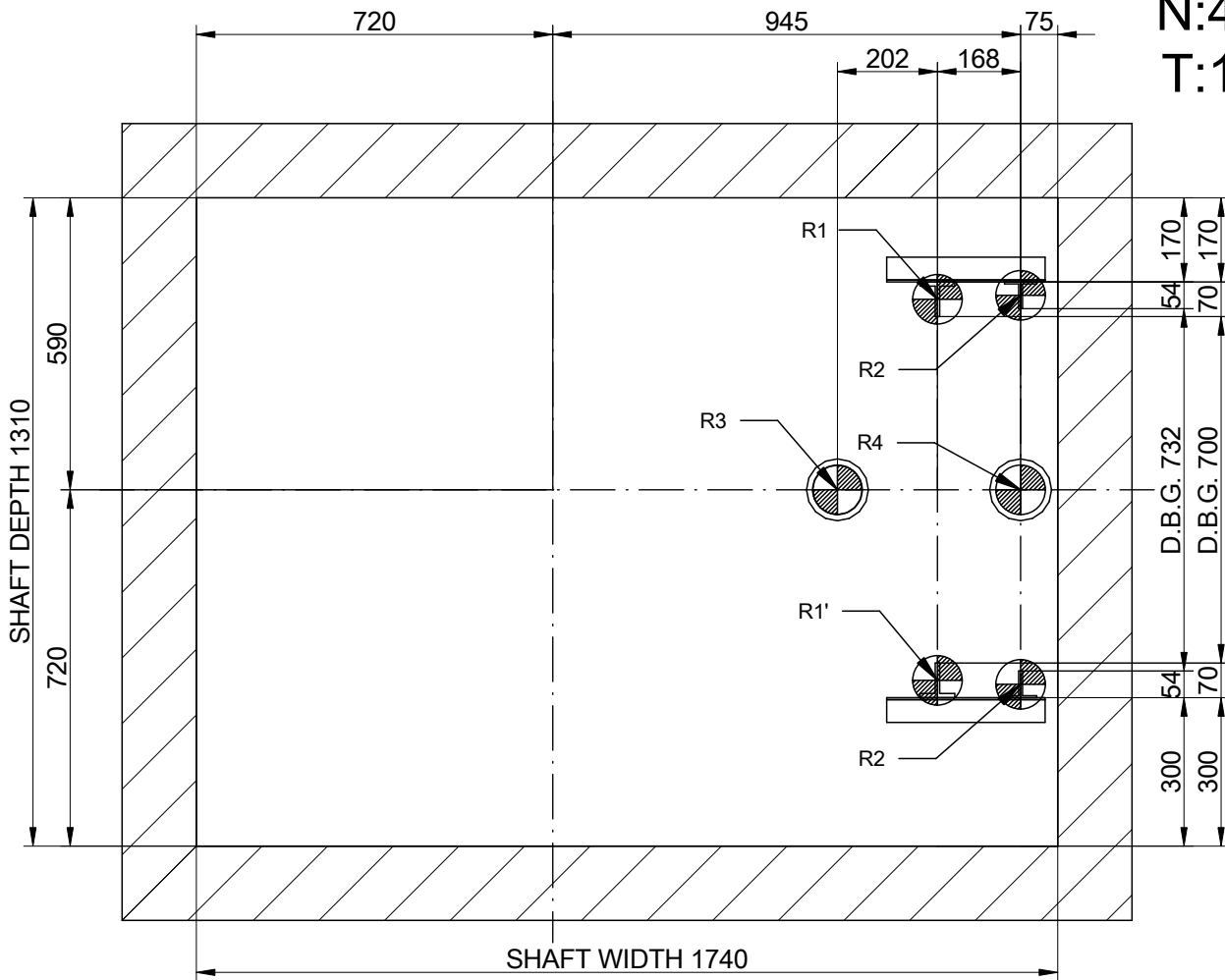
SCALE⁽¹⁾: 1:15

F-1-602.rev.3

(¹)Unbounded dimensions in drawings are indicative and not binding.

STOPS (N°)		6	REV. 1		
CAPACITY (N° PERSONS)		7	REFERENCE:		
NOMINAL LOAD (Kg.)		525			
DATE	NAME	CLIENT:	WORK SITUATION:		TENSION (V.) TRIFASICO.380V FREQUENCY (Hz.) 50
DRAWING	2011	MP			
VERIFIED					
APPROV.					
			MODEL LIFT	SPEED (m/s)	
			MP710GO!FLEX1		

R1:25000 N
 R1':25000 N
 R2:1000 N
 R2':1000 N
 R3:53000 N
 R4:42500 N
 N:4500 N
 T:1500 N




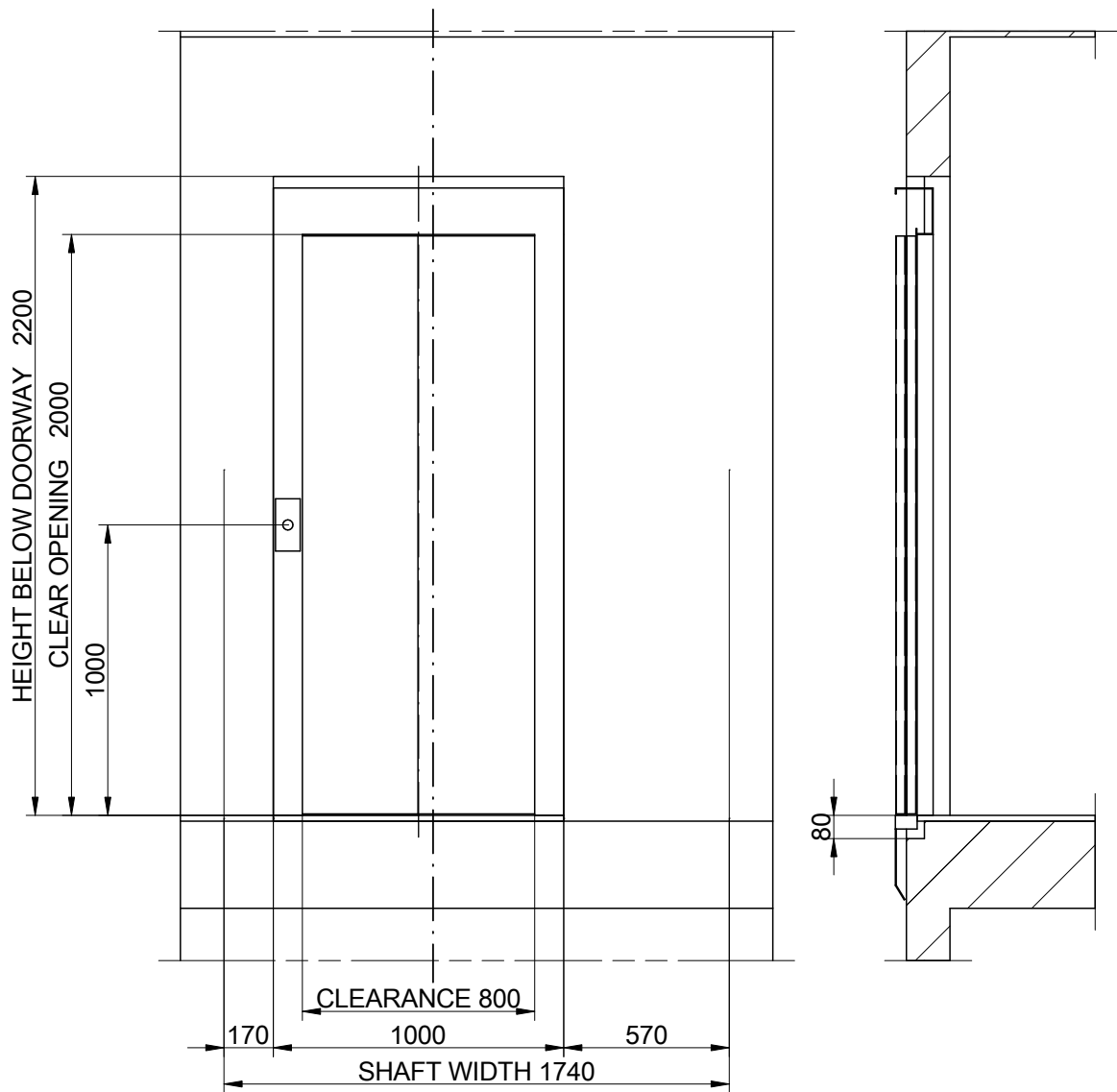
PIT LAYOUT

SCALE(¹): 1:15

F-1-602.rev.3

(¹)Unbounded dimensions in drawings are indicative and not binding.

STOPS (N°) 6		REV. 1		
CAPACITY (N° PERSONS) 7		REFERENCE:		
NOMINAL LOAD (Kg.) 525				
DATE	NAME	CLIENT:	TENSION (V.) TRIFASICO.380V FREQUENCY (Hz.) 50	
DRAWING	MP	WORK SITUATION:		
VERIFIED				
APPROV.				
MP			MODEL LIFT	SPEED (m/s)
			MP710GO!FLEX1	





DOOR HOLE DETAIL

SCALE(*): 1:25

F-1-602.rev.3

(*)Unbounded dimensions in drawings are indicative and not binding.

STOPS (N°)		6	REV. 1		
CAPACITY (N° PERSONS)		7	REFERENCE:		
NOMINAL LOAD (Kg.)		525			
	DATE	NAME	CLIENT:	TENSION (V.) TRIFASICO.380V FREQUENCY (Hz.) 50	
DRAWING	2011	MP	WORK SITUATION:		
VERIFIED					
APPROV.					
			MODEL LIFT	SPEED (m/s)	
			MP710GO!FLEX1		

WORK BY THE CUSTOMER

SHAFT: The structure of the shaft must be built according to the national building rules. Wall of the shaft must resist a pressure of 300 N in 5 cm² area, according EN81-1:98 5.3.1.1. Nominal dimensions according to the drawings. Vertical tolerance from (-0) to (+40 mm). Safety protections fitted. Floor levels signalled. The only use of the shaft must be for a lift installation. The recommended shaft ventilation is 1% of its transversal section (according to 5.2.3 EN81-1) The enclosure shall be imperforate, unless otherwise indicated. (EN81-1/2:98+A3:2009, 5.2.1.1)

CABINET: easy access, properly ventilated, with own lighting (or landing lighting) with 200 lux at the floor level, temperature between 5 °C and 40 °C. Non slippery and not dust generator floor.

CABINET ACCESS: properly illuminated. The access must be easy to use in any case, without necessity to go into private locals. The minimum crossing areas required by the rules of buildings must not be blocked for the lift or cabinet open doors.

ROOF SHAFT: suspensions hooks in the roof, prepared to resist the loads.

ELECTRIC SUPPLY: including statutory wiring up to the cabinet, with neutral, earth and lighting cables.

ELECTRICAL WIRING according to manuals.

LANDING ILUMINATION: 50 lux at floor level.

EARTHING of all electric installation according to the statutory prescriptions in the harmonizing document

CENELEC HD 384-5-54 S1.

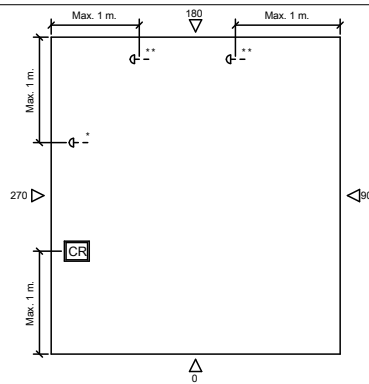
PIT: flat and levelled pit floor, protected against water licking, able to resist loads according to drawings.

Permanent pit access device. When there are accessible areas placed under car or counterweight trajectory, the pit floor must be calculated for a 5000 N/m² minimum charge, and if the counterweight has not got a safety gear, a pillar that descend up to floor under counterweight buffer must be placed.

NOTE: The project carries out the application requisites of RD 1314/1997 (*). For eventual Rules of Local Buildings, Accessibility, Fire protection, ..., the client is responsible and he will have to control the fulfilment. The present drawing is developed by means of the facilitated information and it has caused the technical documents for the achievement of our products. Eventual MODIFICATIONS which affect their construction, will lead to the inspection of our order confirmation.

(*) For lifts in Spain "RD 1314/1997". 95/16/EC for lifts of the rest of Europe.

CAR ROOF SKETCH



- CR** Maintenance box.
- G--** Additional STOP push button.
- * Double landing 180° or separately work areas.
- ** Double landing 90° or 270°

F-1-602.rev.1

DATE	NAME	MODIFICATIONS	REV.

STOPS (N°)	6	REV. 1		
CAPACITY (N° PERSONS)	7			REFERENCE:
NOMINAL LOAD (Kg.)	525			
DATE	2011	NAME	MP	
DRAWING		CLIENT:		
VERIFIED		WORK SITUATION:		
APPROV.				
			TENSION (V.) TRIFASICO.380V FREQUENCY (Hz.) 50	

MP	MODEL LIFT	SPEED (m/s)
	MP710GO!FLEX1	